

HOSPITALITY DIVISION  
**eurotech**  
LUXURY SHOWER DOORS

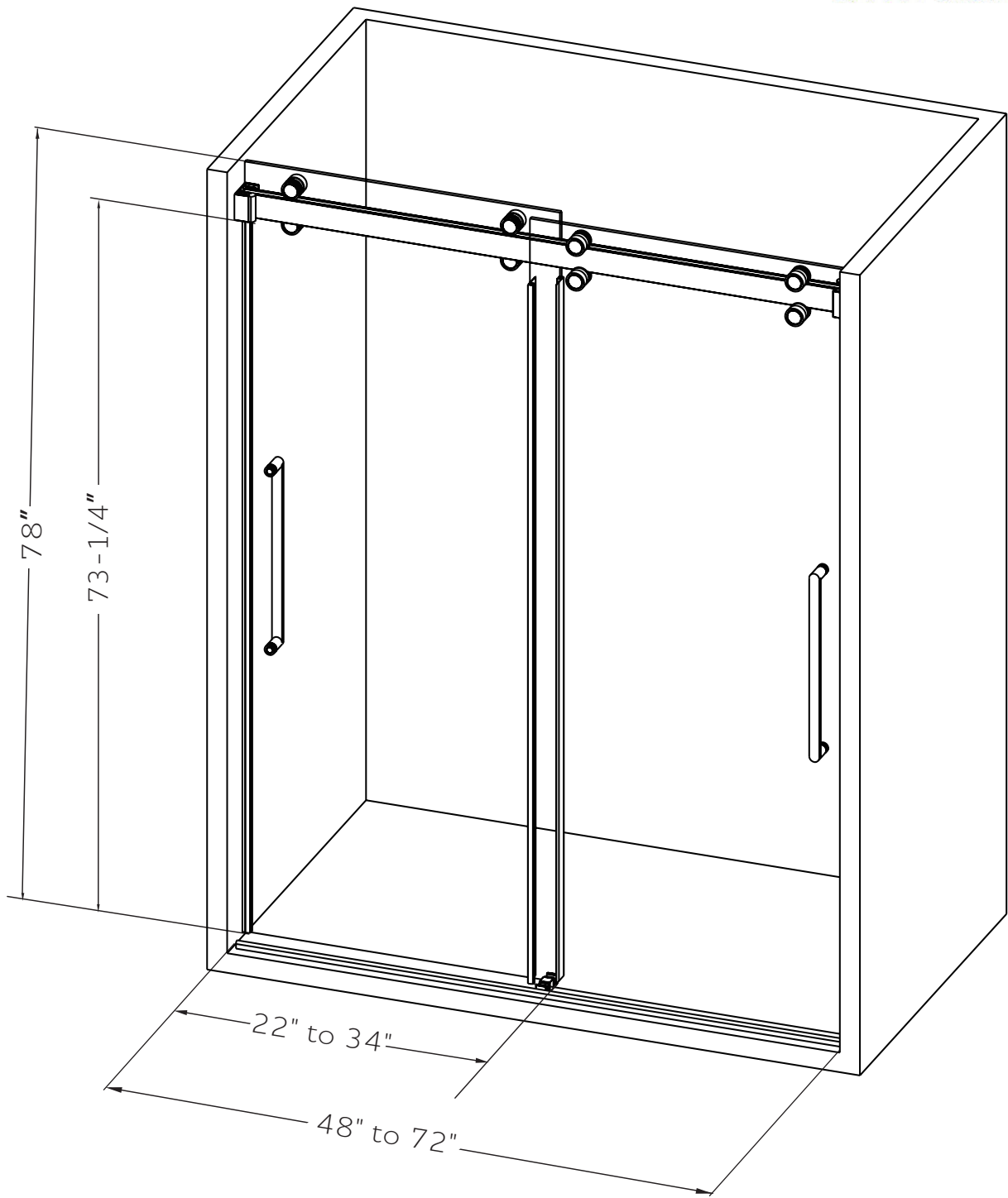
**MONACO**

**TWINGLIDE FRAMELESS DUAL SLIDING SHOWER DOOR**



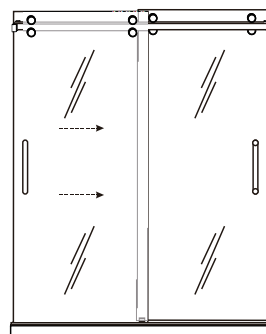
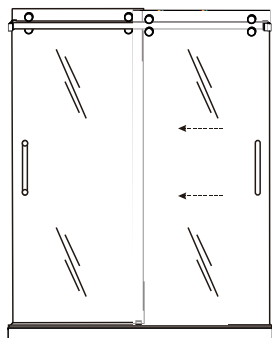
**Eurotech Showers**

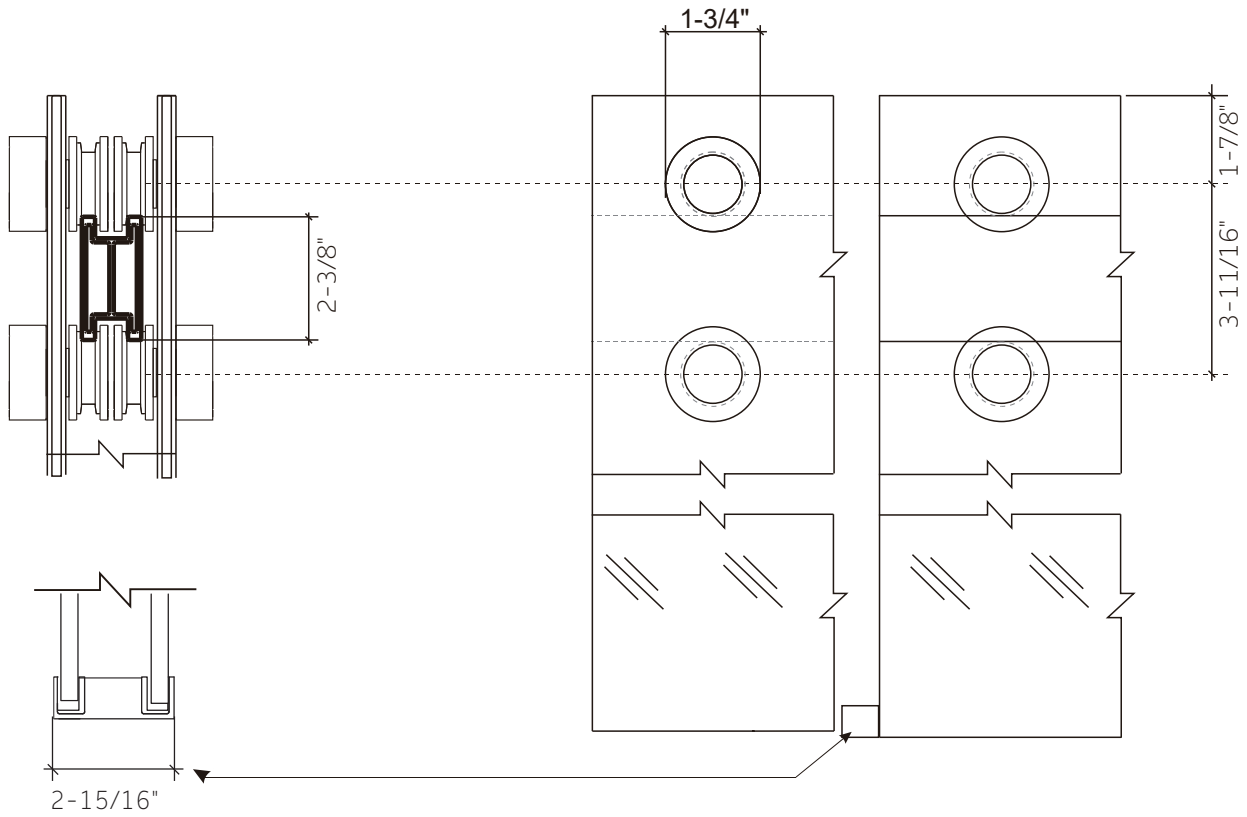
Hospitality Division  
23532 Commerce Center Dr.,  
Building B  
Laguna Hills, CA 92653  
949-716-4099  
[eurotechshowershospitality.com](http://eurotechshowershospitality.com)



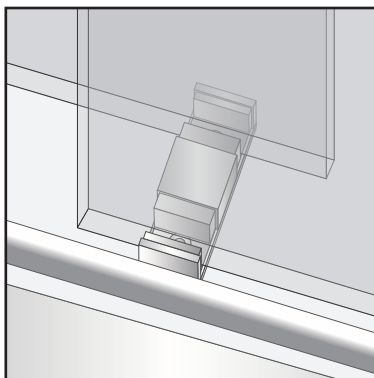
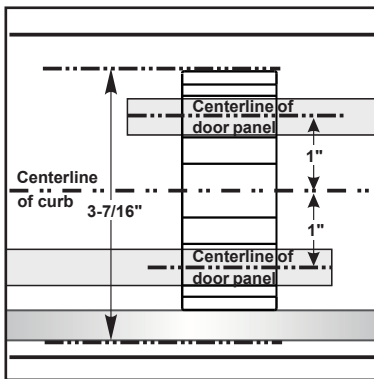
## CONFIGURATIONS

exterior or interior door capability

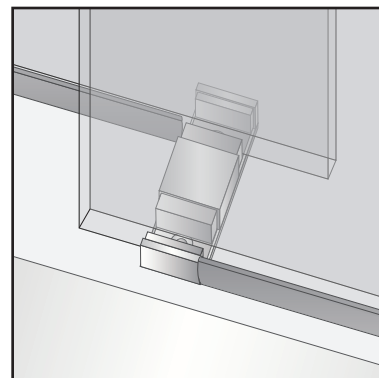
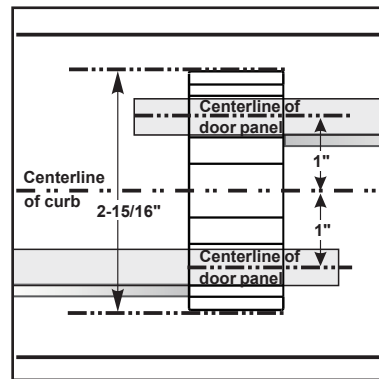


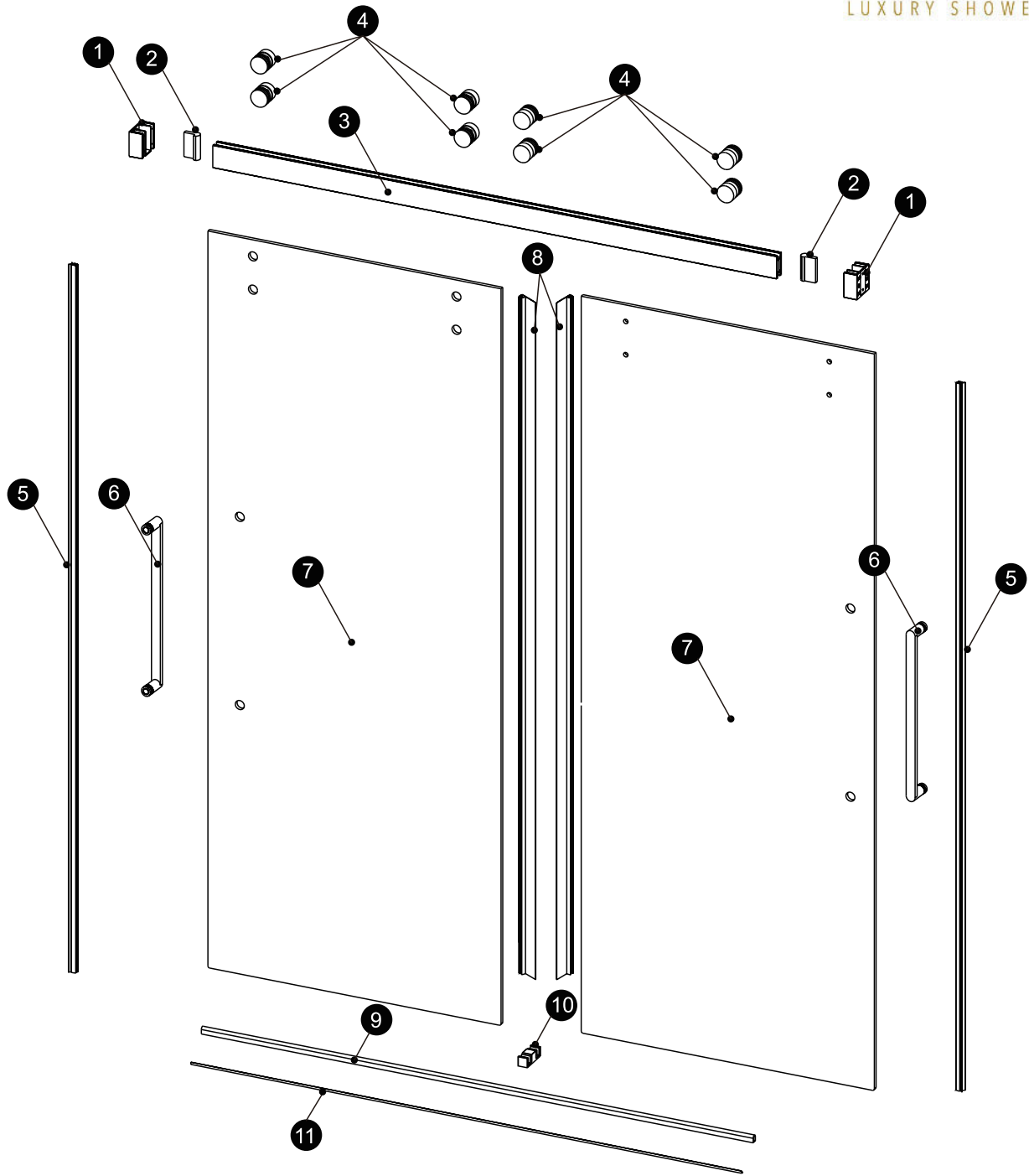


**FOOTPRINT USING  
 ALUMINUM WATER GUARD**



**FOOTPRINT USING  
 POLYCARBONATE L-SEAL**





- 1) wall bracket
- 2) safety bumper
- 3) track
- 4) roller
- 5) V-seal
- 6) handle

- 7) door panel
- 8) F-seal
- 9) aluminum water guard
- 10) bottom guide
- 11) L-seal