

HOSPITALITY DIVISION  
**eurotech**  
LUXURY SHOWER DOORS

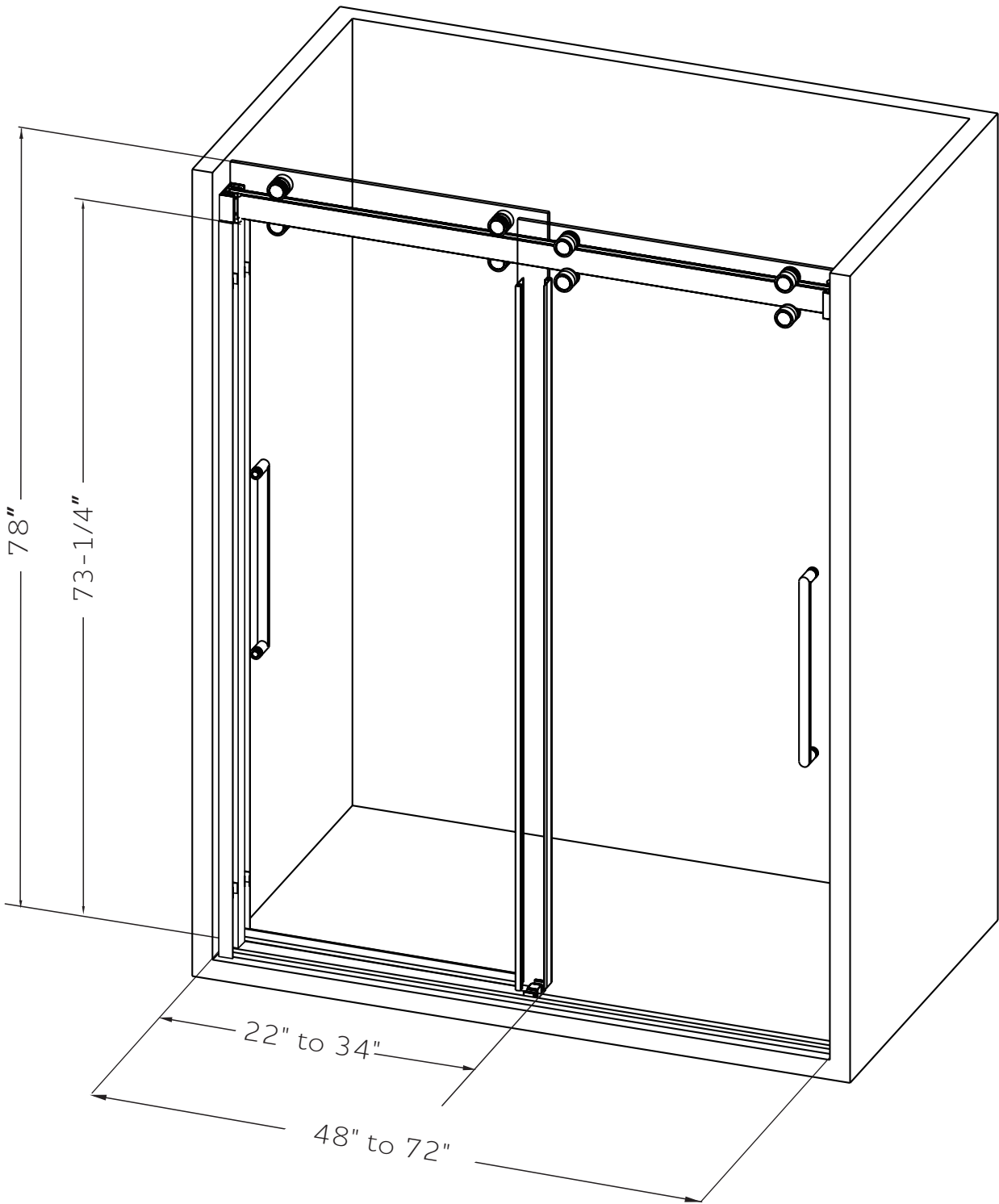
**MONACO W/ WALL JAMBS**

**TWINGLIDE FRAMELESS DUAL SLIDING SHOWER DOOR**



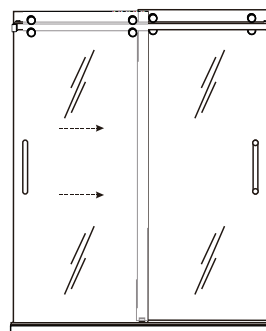
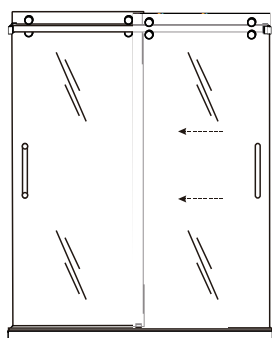
**Eurotech Showers**

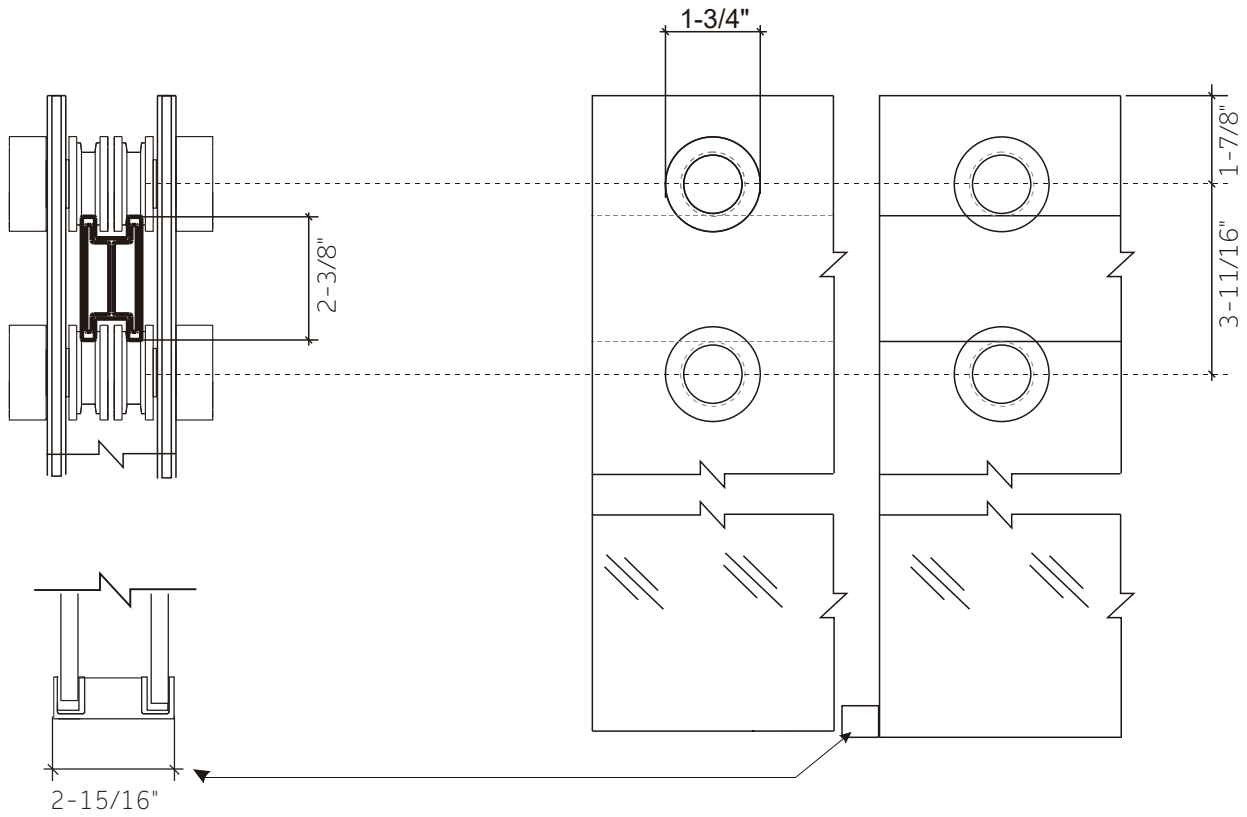
Hospitality Division  
23532 Commerce Center Dr.,  
Building B  
Laguna Hills, CA 92653  
949-716-4099  
[eurotechshowershospitality.com](http://eurotechshowershospitality.com)



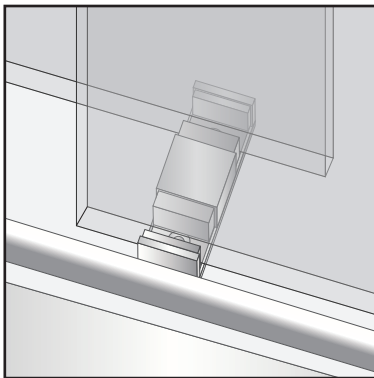
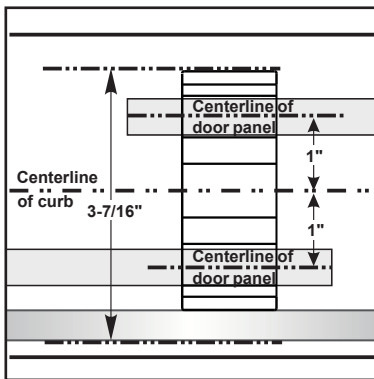
## CONFIGURATIONS

exterior or interior door capability

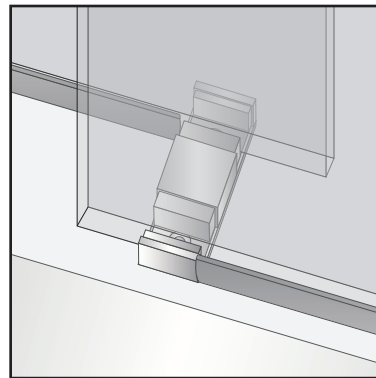
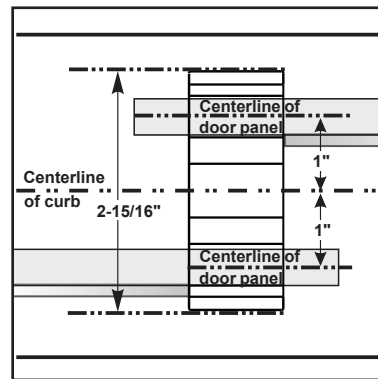


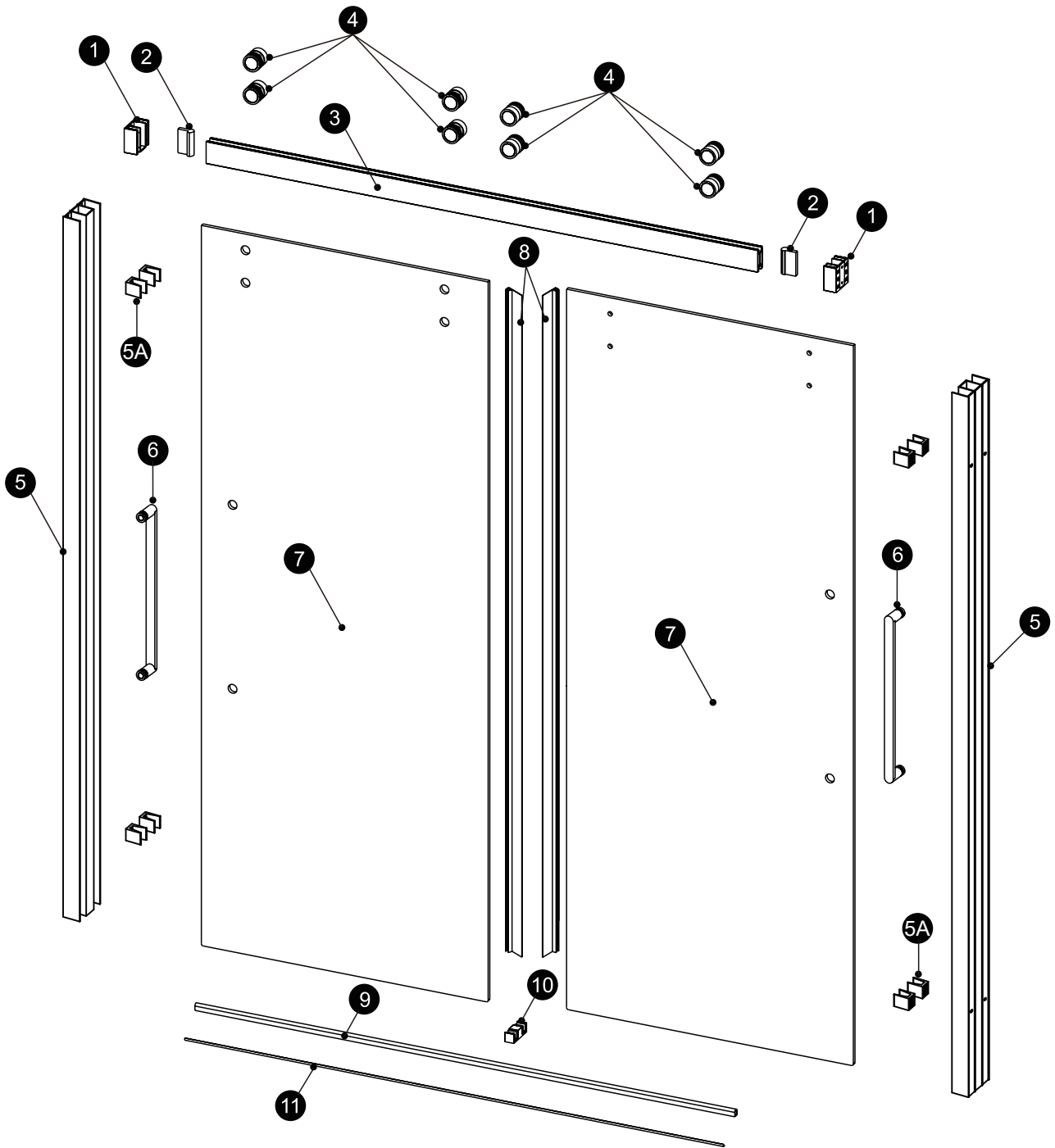


**FOOTPRINT USING ALUMINUM WATER GUARD**



**FOOTPRINT USING POLYCARBONATE L-SEAL**





- |                  |                         |
|------------------|-------------------------|
| 1) wall bracket  | 6) handle               |
| 2) safety bumper | 7) door panel           |
| 3) track         | 8) F-seal               |
| 4) roller        | 9) aluminum water guard |
| 5) wall jamb     | 10) bottom guide        |
| 5A) jamb guide   | 11) L-seal              |