

HOSPITALITY DIVISION

eurotech

LUXURY SHOWER DOORS

VITRA-100

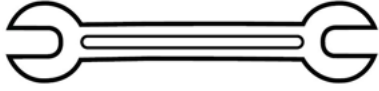
CONTRACTORS SELECT FRAMELESS SINGLE SLIDING SHOWER DOOR



Eurotech Showers

Hospitality Division
23532 Commerce Center Dr.,
Building B
Laguna Hills, CA 92653
949-716-4099
eurotechshowershospitality.com

SUPER EASY INSTALL

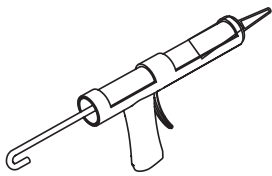


HOSPITALITY DIVISION
eurotech
LUXURY SHOWER DOORS

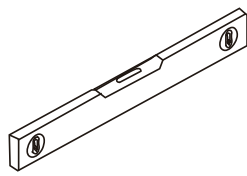


HARDWARE FITS UP TO 72" WIDE OPENING

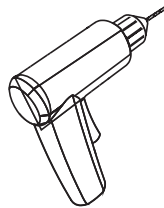
Tools Required



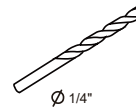
Silicone



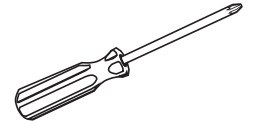
Level



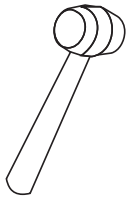
Drill



Masonry Bit



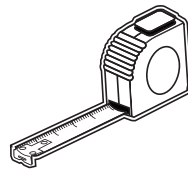
**Screwdriver
(Phillips)**



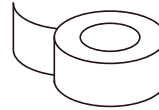
Mallet



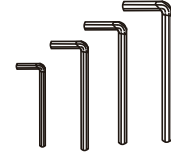
Pencil



Tape Measurer



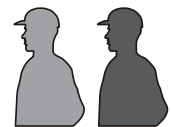
**Painters
Tape**



**Allen Wrenches
(included)**

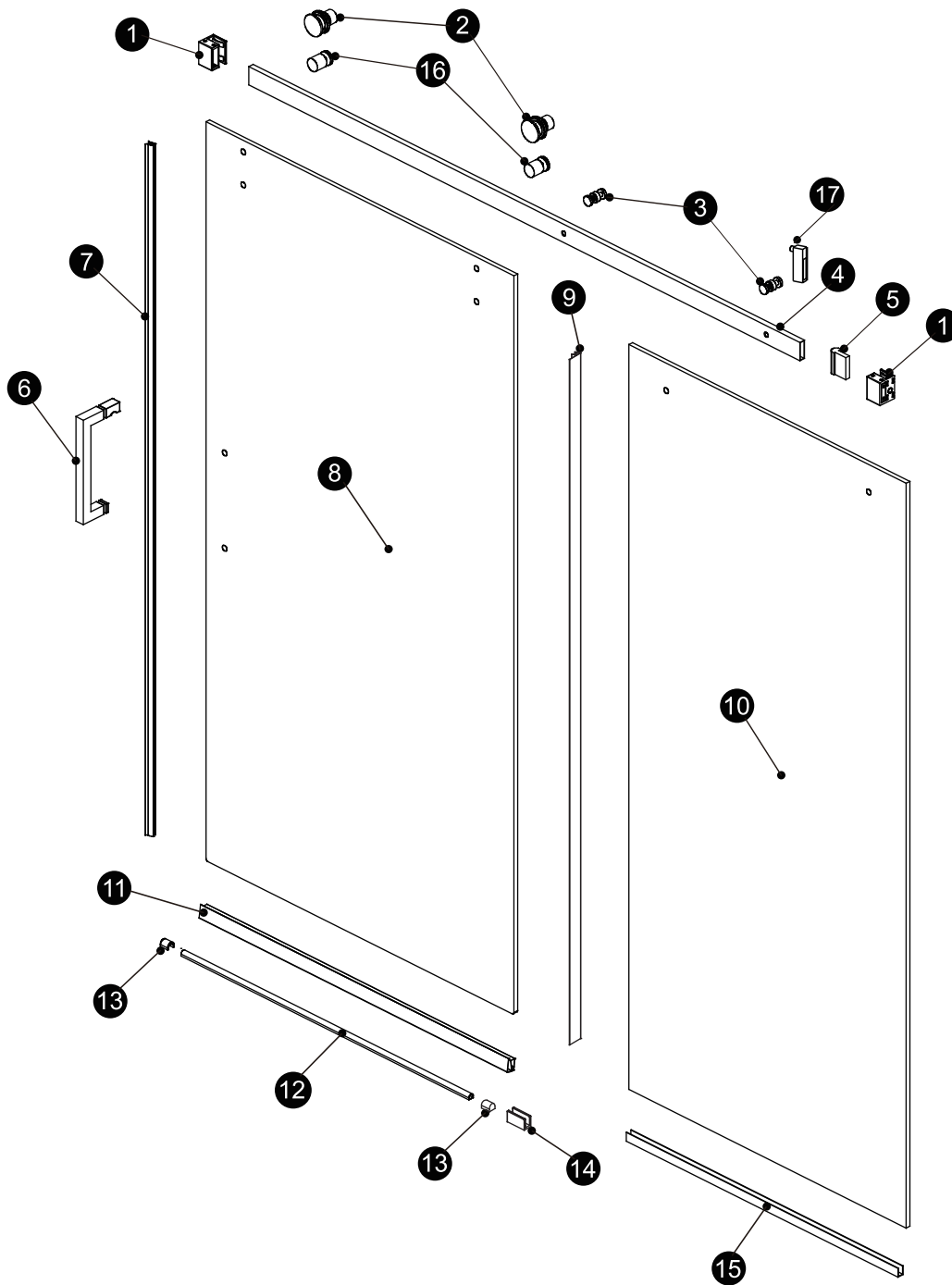


This product is heavy and may require two people to install.



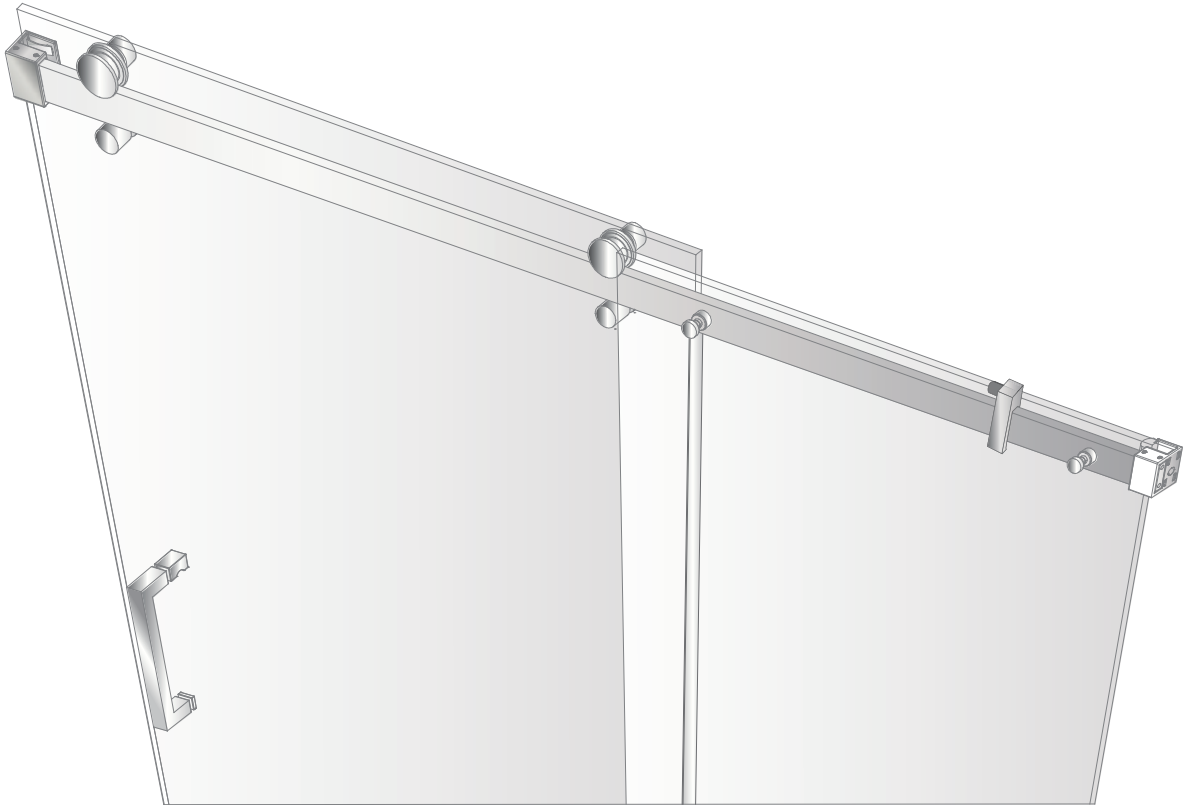
Congratulations on your purchase of your Eurotech Shower door, making your shower dreams come to life.

◆ Assembly Drawing



PACKING LIST

PART #	DESCRIPTION	Q'TY	PART #	DESCRIPTION	Q'TY
1	Wall Bracket	2pcs	9	F Seal	1pc
2	Roller	2pcs	10	Fixed Panel	1pc
3	Fixed Panel Holders	2pcs	11	Bottom Slip-on Seal	1pc
4	Track	1pc	12	Aluminium Water Guard	1pc
5	Safety Bumper	1pc	13	End Block	2pcs
6	Handle	1pc	14	Bottom Guide	1pc
7	V Seal	1pc	15	Aluminium Bottom U Channel	1pc
8	Door Panel	1pc	16	Anti-Lift Pins	2pcs
			17	Stopper	1pc



Door inside left
*this configuration is illustrated in manual



Door outside left

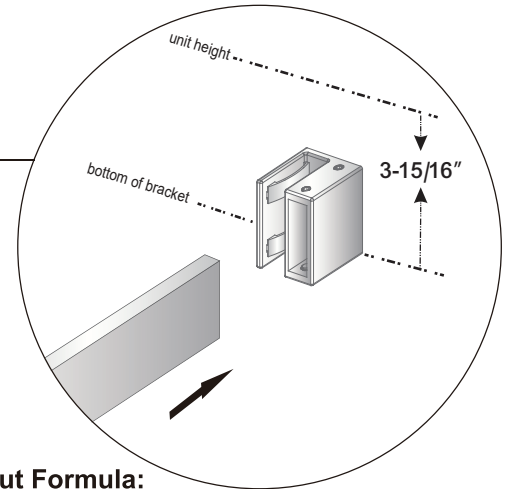
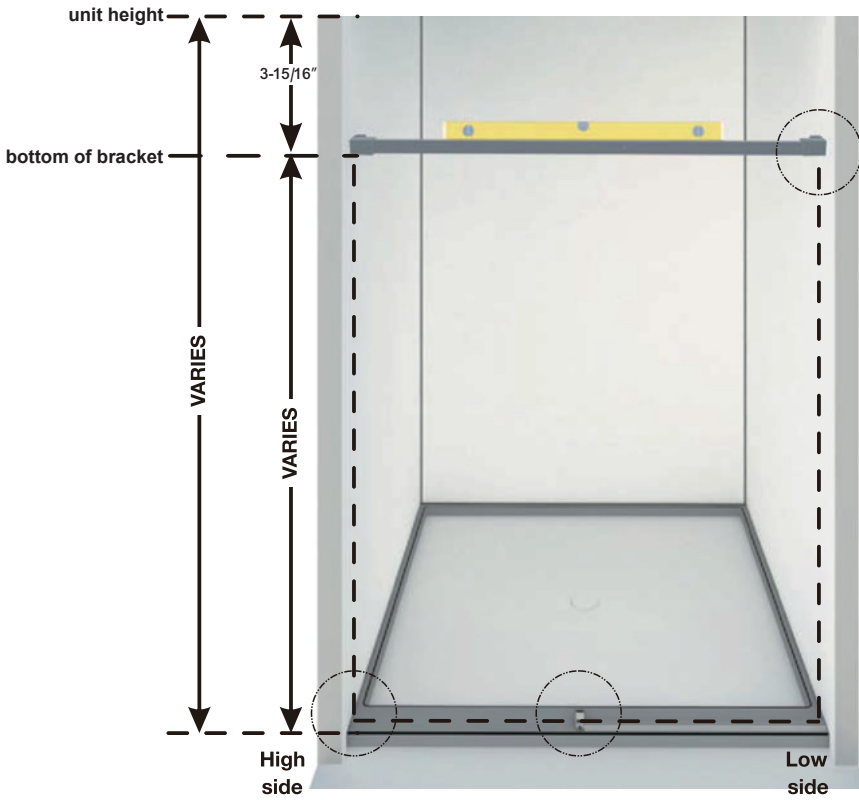


Door inside right

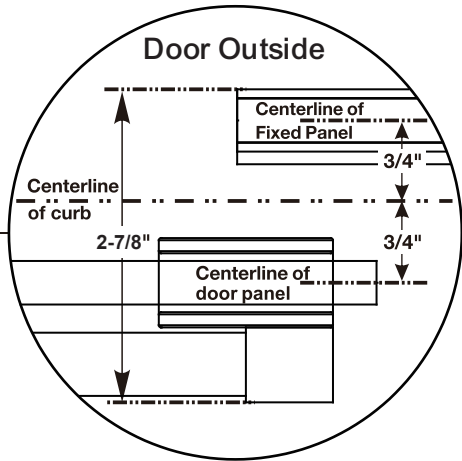
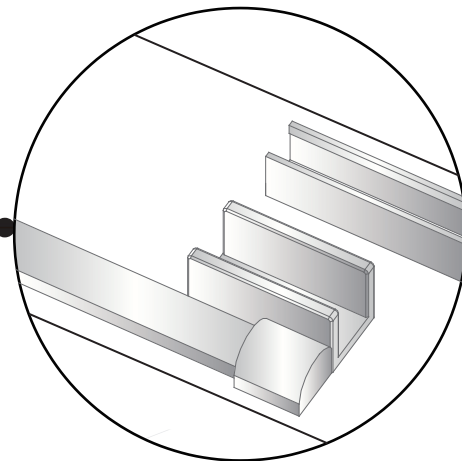
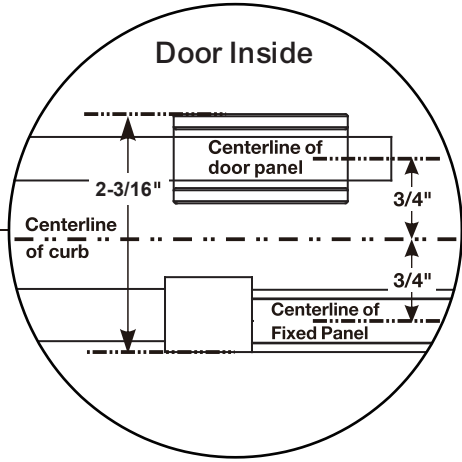
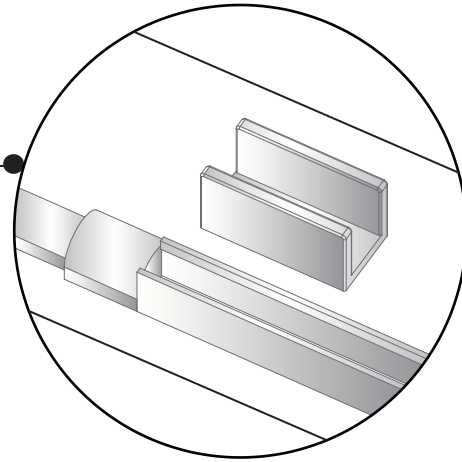
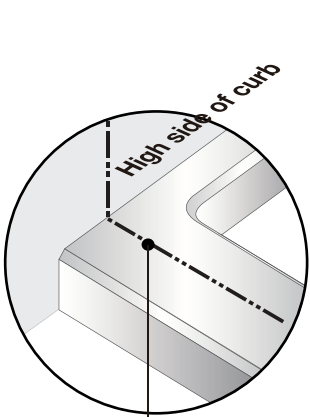
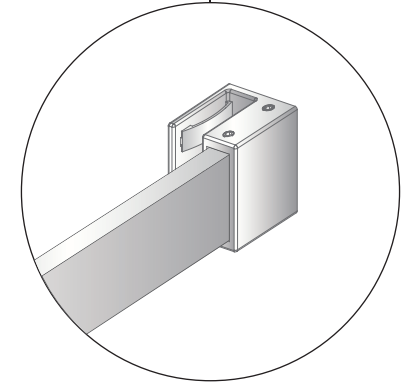


Door outside right

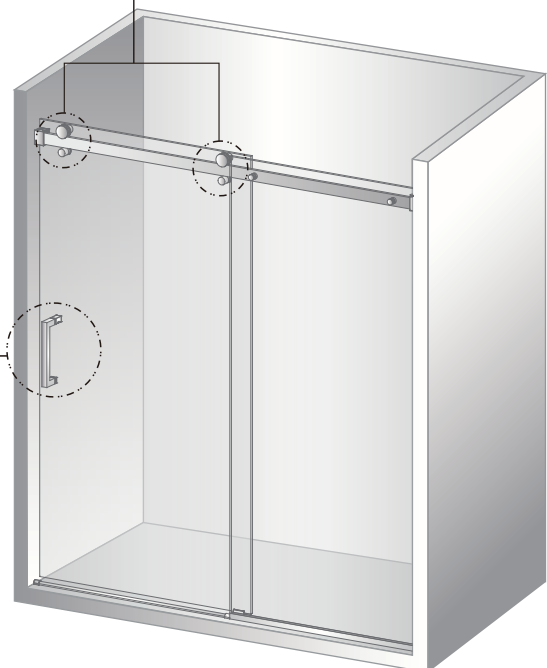
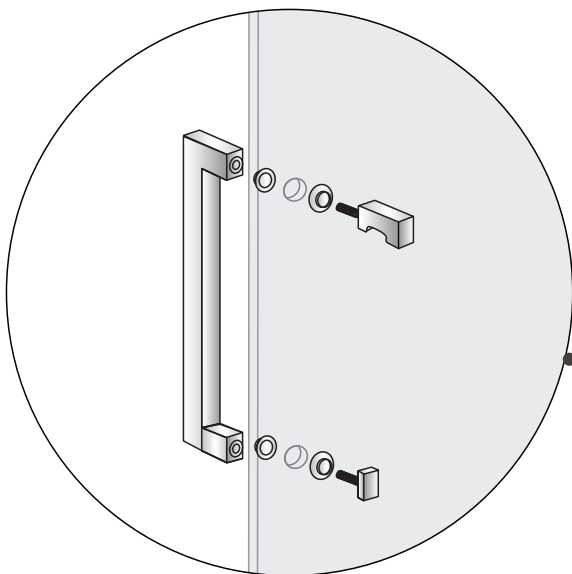
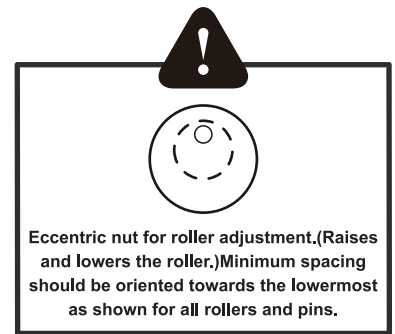
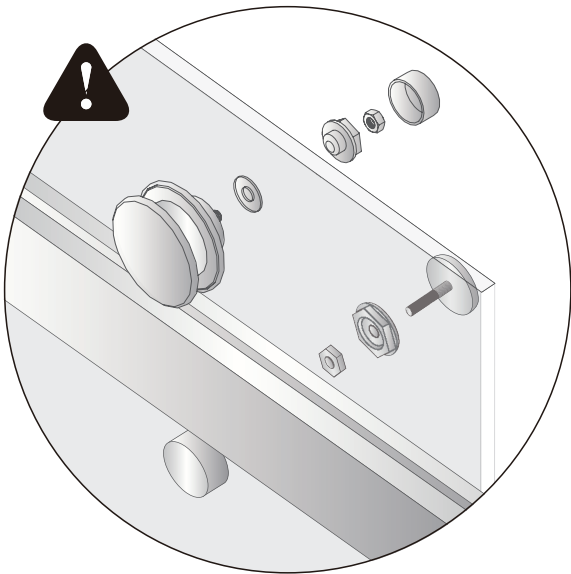
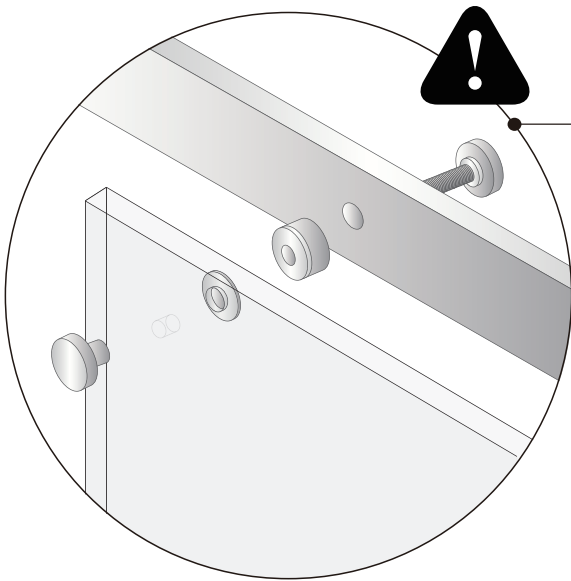
Bar Installation: Mount wall bracket on high side of curb first. Level bar to mark opposite wall for second wall bracket.



Bar Cut Formula:
overall width minus 1-3/8"

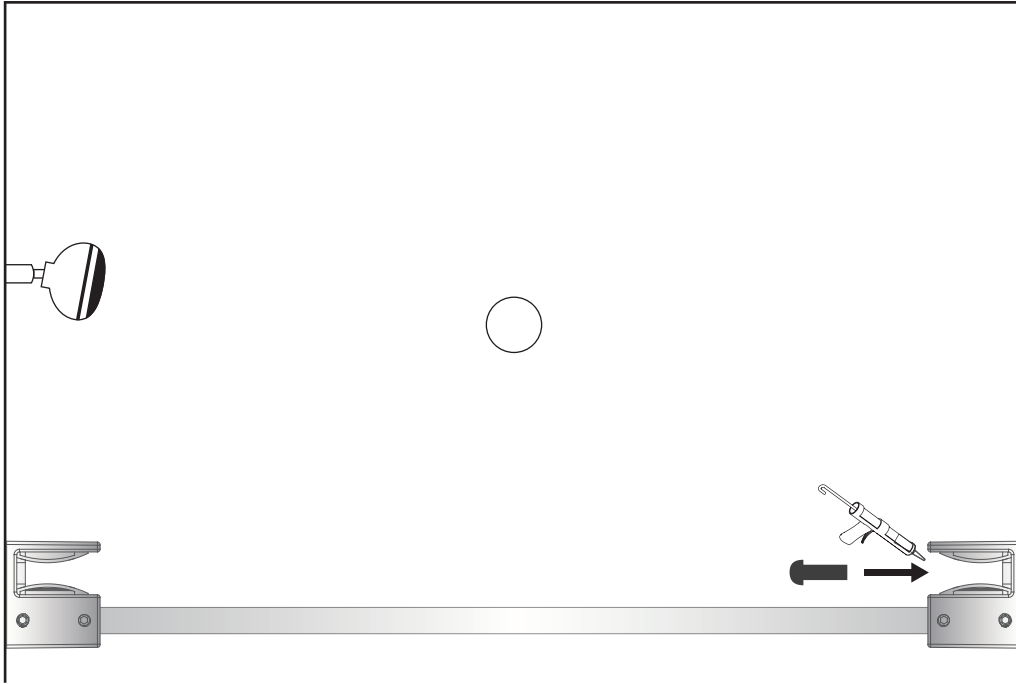


Aluminum Channel Cut Formula: overall fixed panel width equals channel length

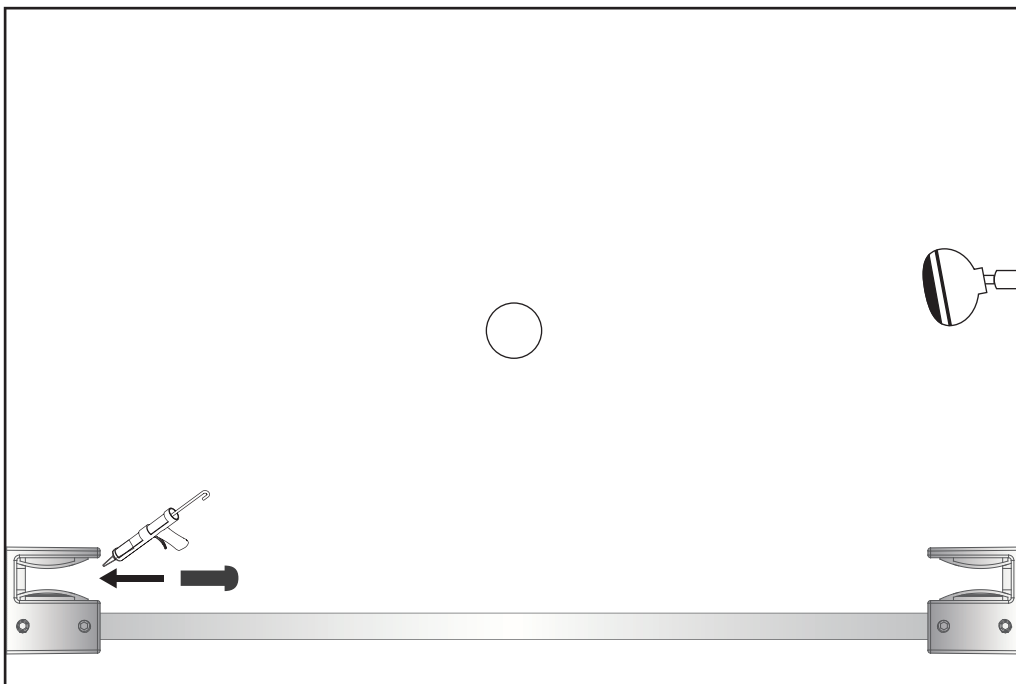


◆ Safety Bumper Page

For configurations with shower head to the left insert safety bumpers into wall brackets as shown

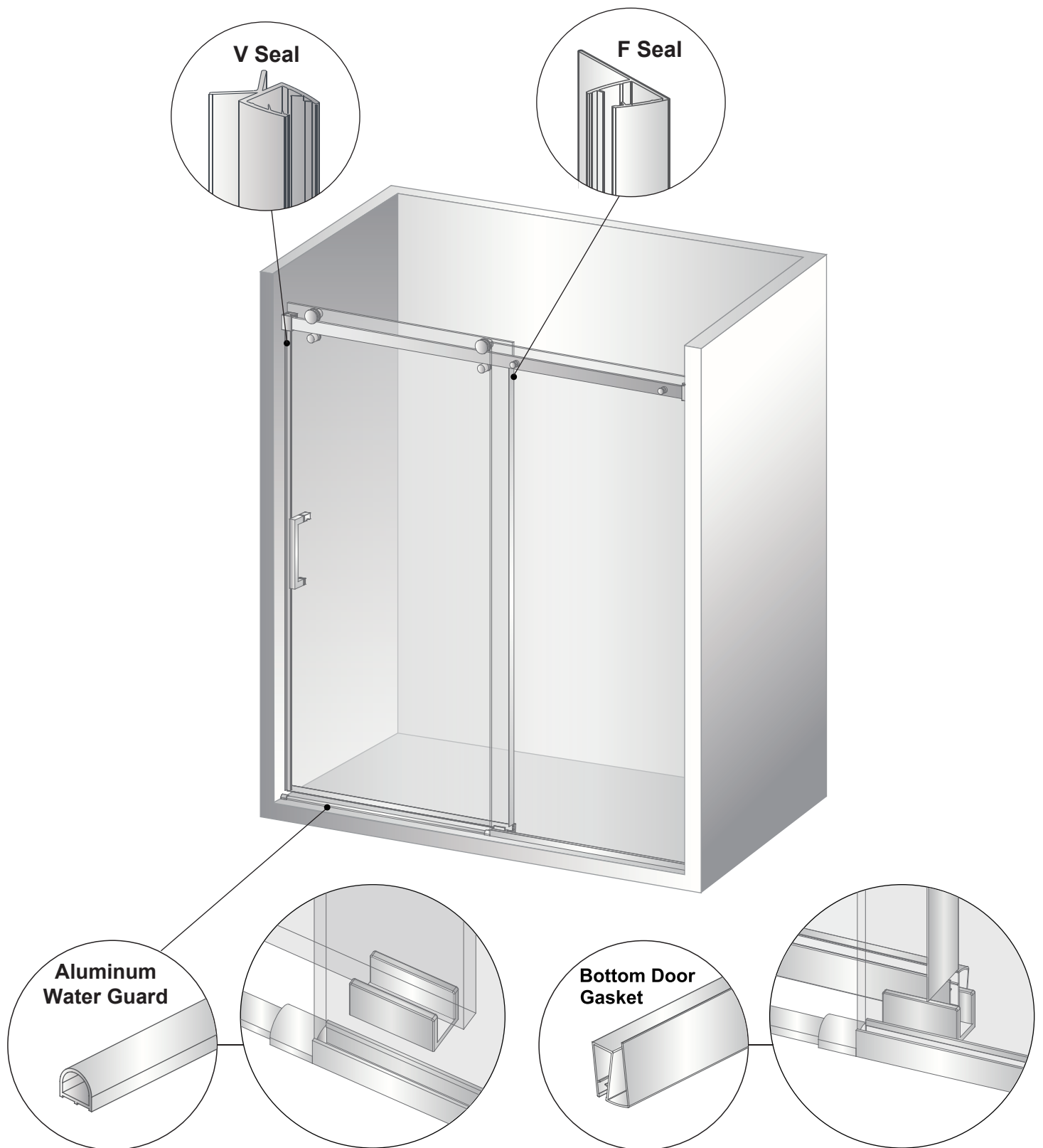


For configurations with shower head to the right insert safety bumpers into wall brackets as shown



DO NOT OPERATE DOORS WITHOUT SAFETY BUMPERS AND SEALS PROPERLY INSTALLED

◆ Seal Page



Installation method: Aluminium water guard and slip-on seals must be installed

DO NOT OPERATE DOORS WITHOUT SAFETY BUMPERS AND SEALS PROPERLY INSTALLED