

HOSPITALITY DIVISION
eurotech
LUXURY SHOWER DOORS

VITRA-200

CONTRACTORS SELECT FRAMELESS DUAL SLIDING SHOWER DOOR



Eurotech Showers

Hospitality Division
23532 Commerce Center Dr.,
Building B
Laguna Hills, CA 92653
949-716-4099
eurotechshowershospitality.com

SUPER EASY INSTALL

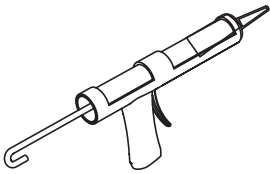


HOSPITALITY DIVISION
eurotech
LUXURY SHOWER DOORS

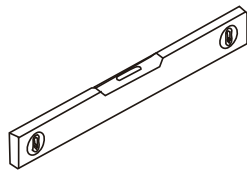


HARDWARE FITS UP TO 72" WIDE OPENING

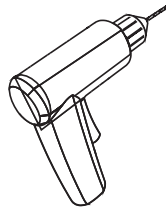
Tools Required



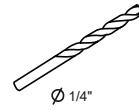
Silicone



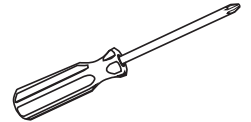
Level



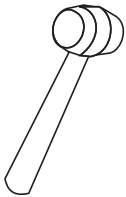
Drill



Masonry Bit



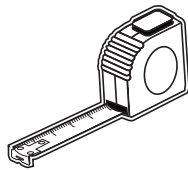
**Screwdriver
(Phillips)**



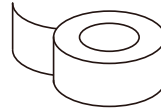
Mallet



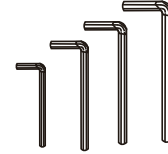
Pencil



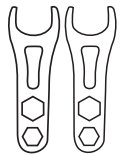
Tape Measurer



**Painters
Tape**



**Allen Wrenches
(included)**



**Wrenches
(included)**

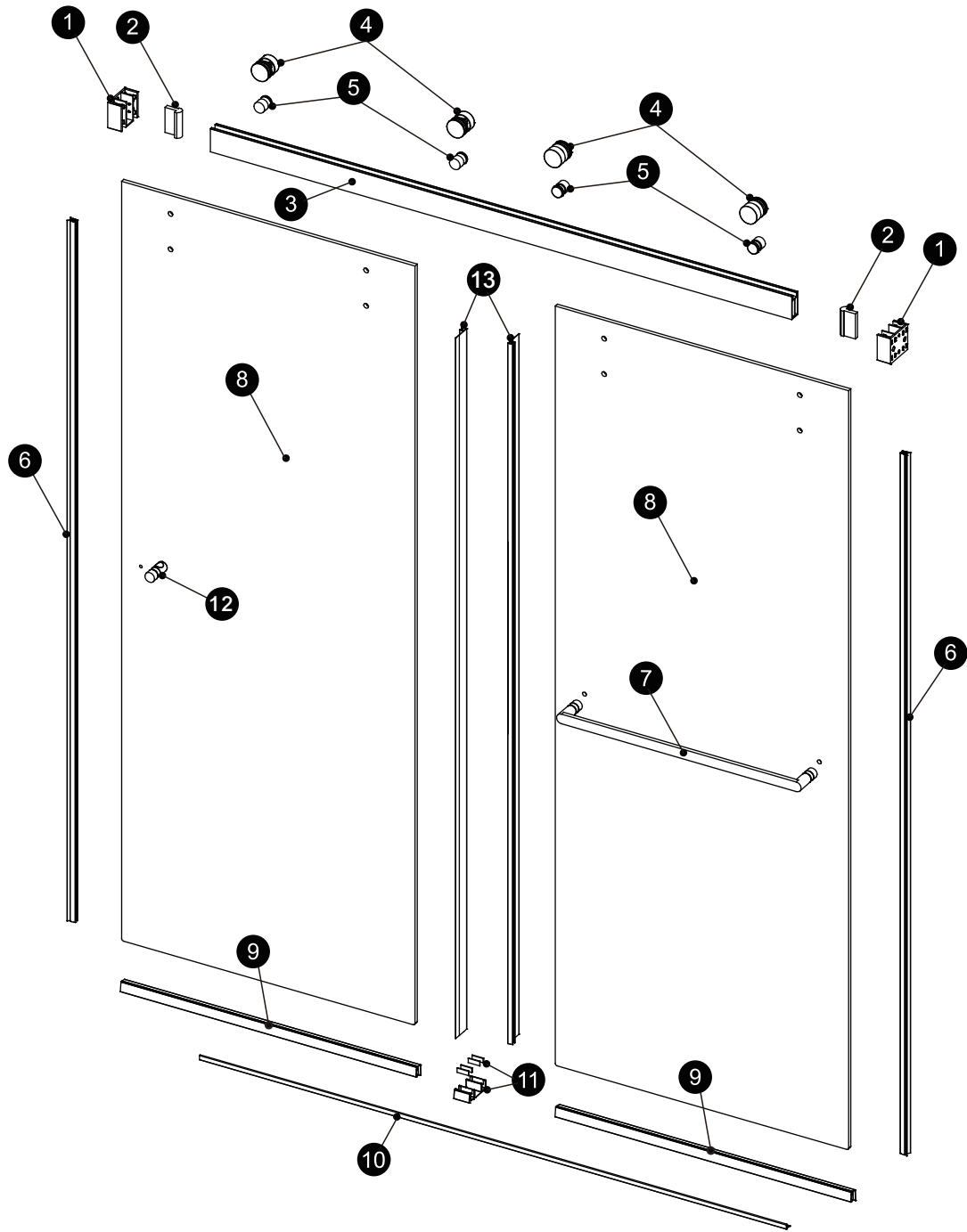


This product is heavy and may require two people to install.



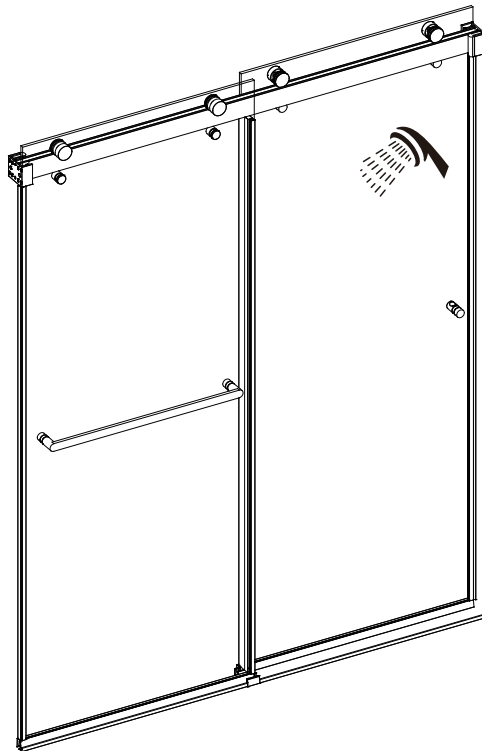
Congratulations on your purchase of your Eurotech Shower door, making your shower dreams come to life.

◆ Assembly Drawing

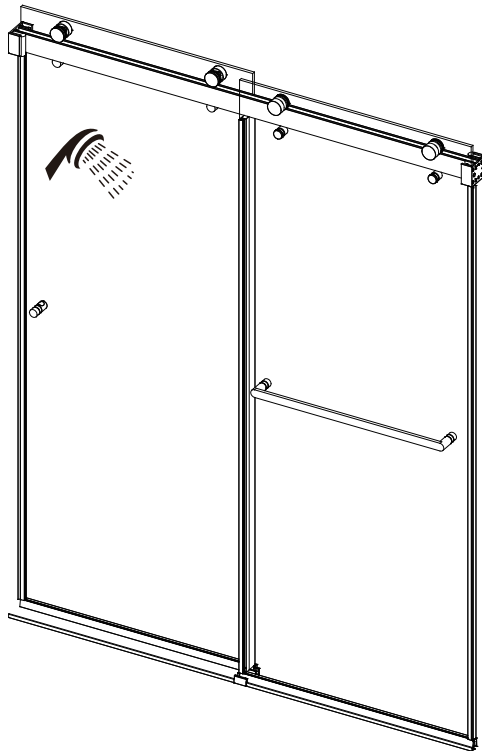


PACKING LIST

PART #	DESCRIPTION	Q'TY	PART #	DESCRIPTION	Q'TY
1	Wall Bracket	2pcs	8	Door Panel	2pcs
2	Safety Bumper	2pcs	9	Bottom Slip-on Seal	2pcs
3	Track	1pc	10	Aluminium Water Guard	1pc
4	Roller	4pcs	11	Glass Guide	1pc
5	Anti-Lift Pin	4pcs	12	Knob	1pc
6	V Seal	2pcs	13	F Seal	2pcs
7	Towel Bar	1pc			



Configuration 1

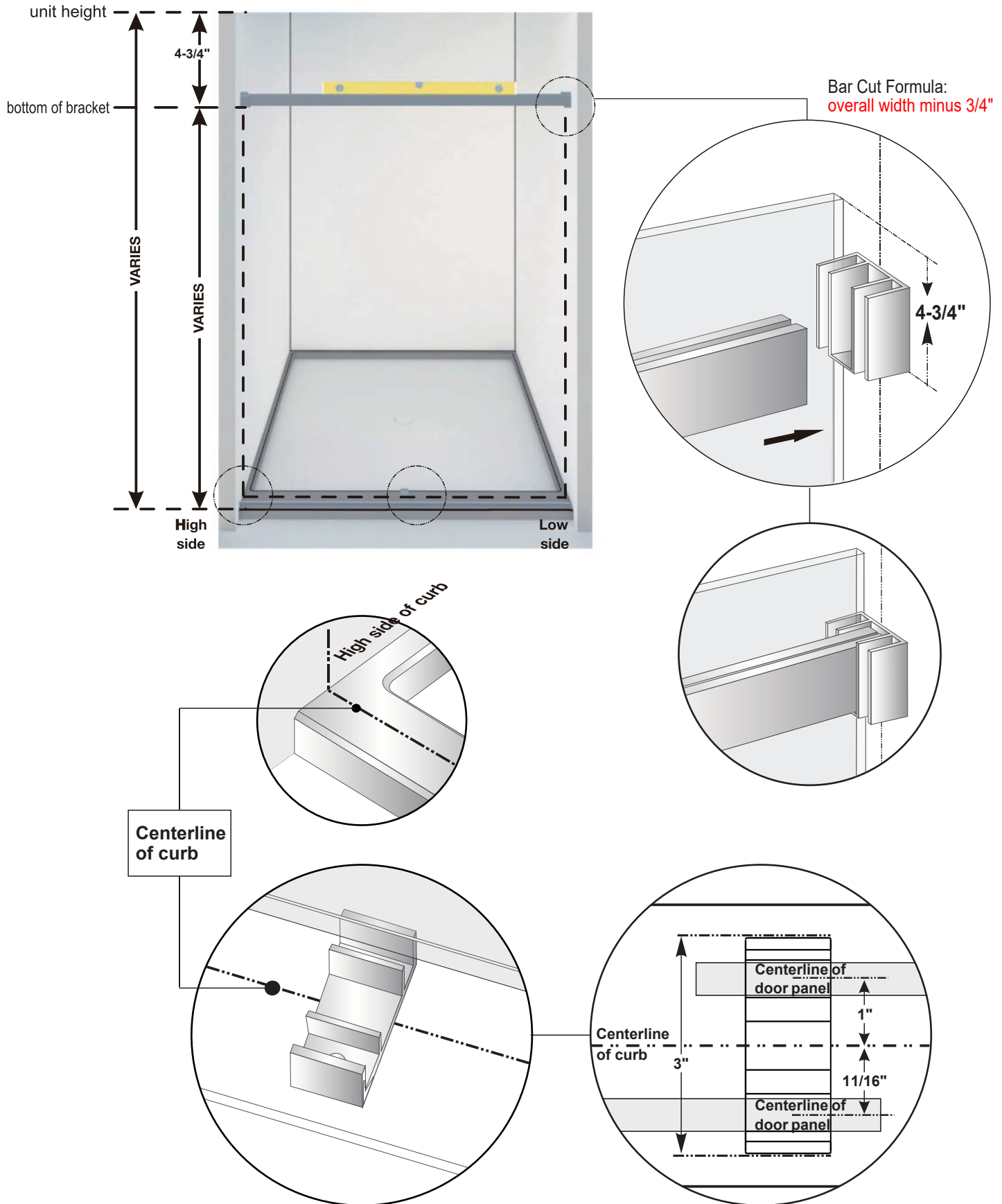


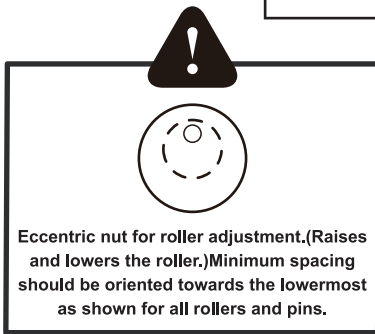
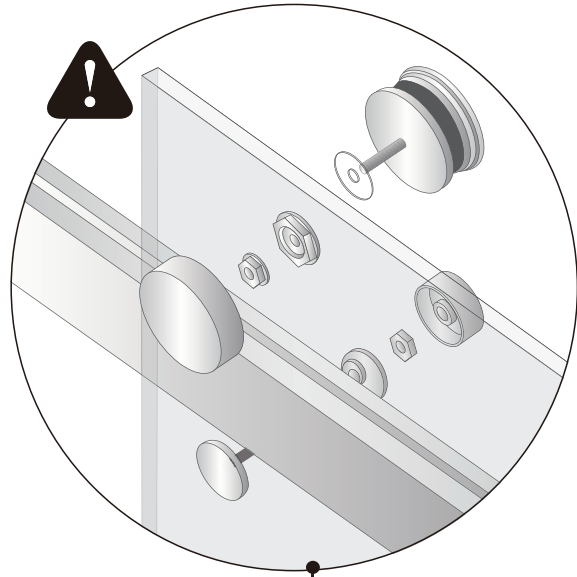
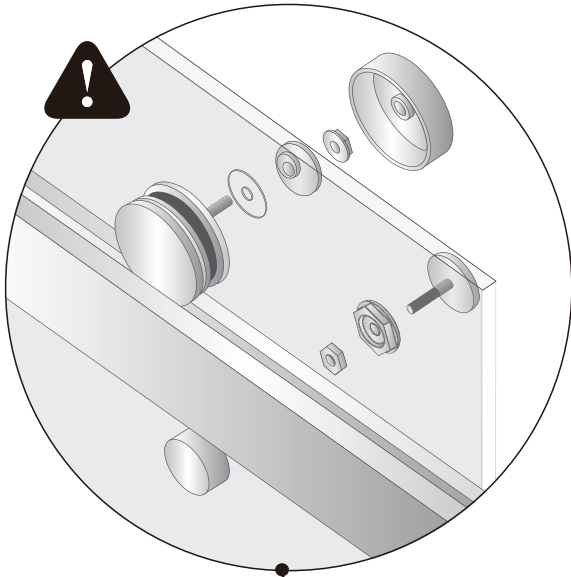
Configuration 2

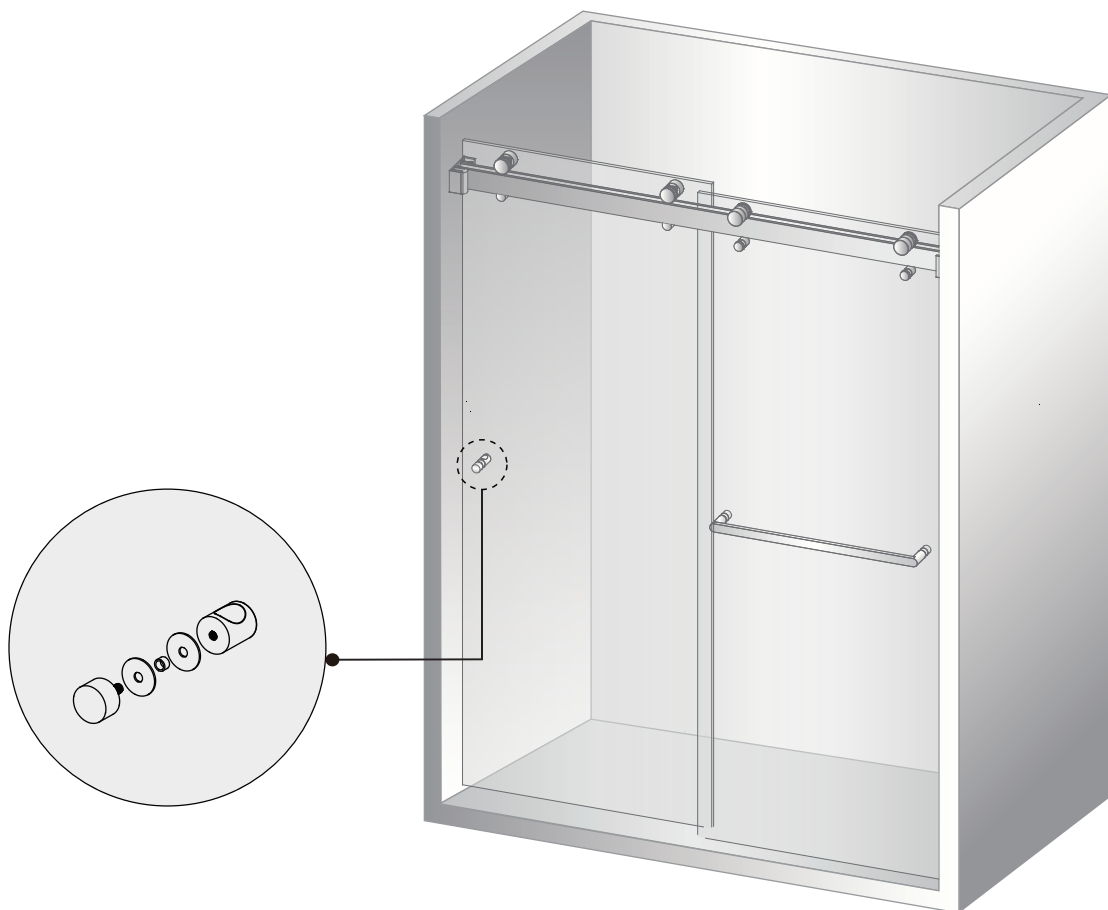
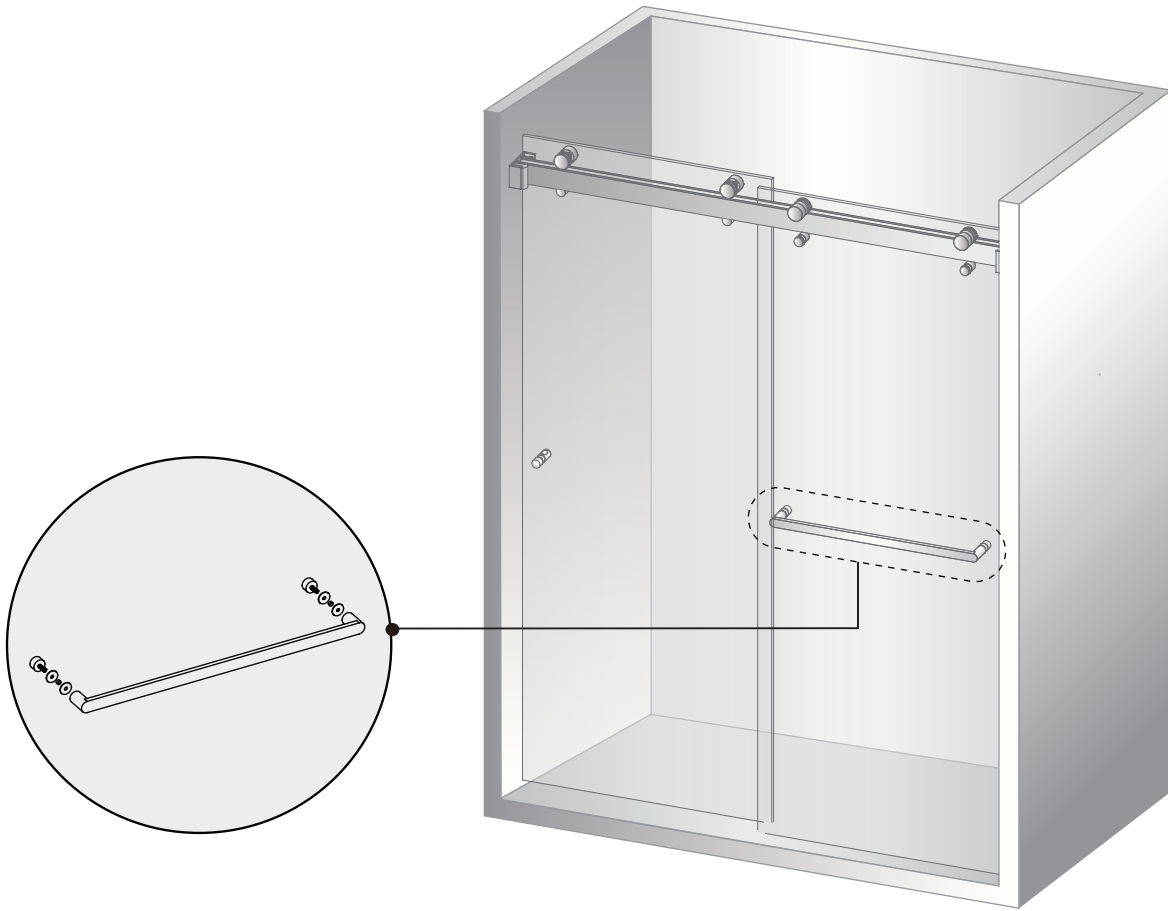


(This Configurations is illustrated in this Manual)

Bar Installation: Mount wall bracket on **high side** first. Level bar to mark opposite wall for second wall bracket.

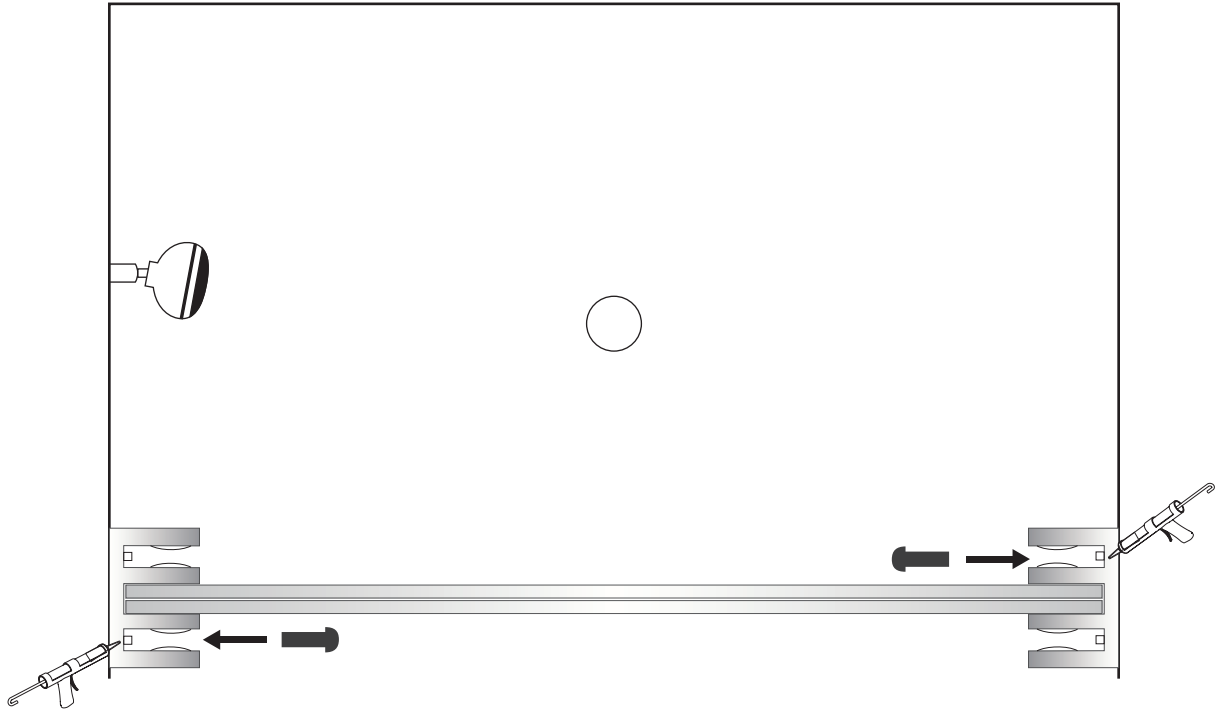




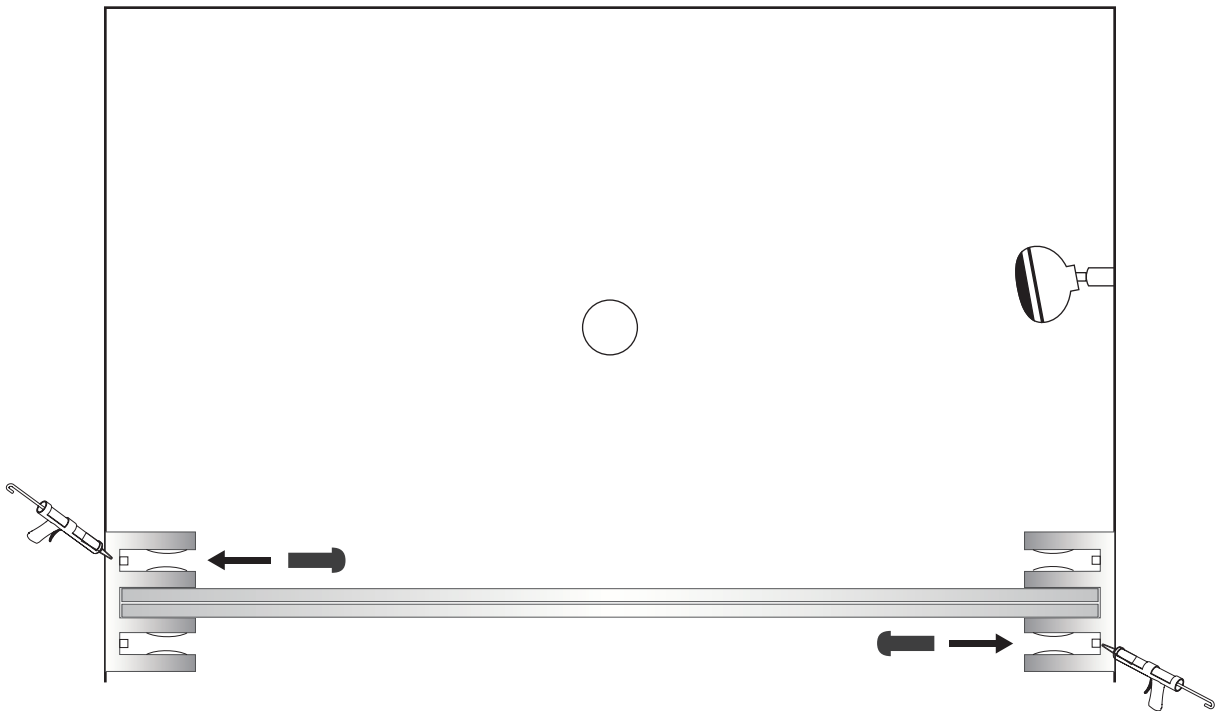


◆ Safety Bumper Page

For configurations with shower head to the left insert safety bumpers into wall brackets as shown



For configurations with shower head to the right insert safety bumpers into wall brackets as shown



DO NOT OPERATE DOORS WITHOUT SAFETY BUMPERS AND SEALS PROPERLY INSTALLED



installation method: aluminum water guard AND bottom slip-on seals must be installed

Aluminum Water Guard Cut Formula: overall width minus 1/16"

DO NOT OPERATE DOORS WITHOUT SAFETY BUMPERS AND SEALS PROPERLY INSTALLED