

HOSPITALITY DIVISION  
**eurotech**  
LUXURY SHOWER DOORS

**MONTAGE**  
EUROGLIDE FRAMELESS SINGLE SLIDING SHOWER DOOR



**Eurotech Showers**

Hospitality Division  
23532 Commerce Center Dr.,  
Building B  
Laguna Hills, CA 92653  
949-716-4099  
[eurotechshowershospitality.com](http://eurotechshowershospitality.com)

# FEATURES

- 304 stainless steel hardware
- (4) 70mm dual sided rollers
- Up to 3/8" out of plumb adjustability
- 4 configurations
- Dual water diverter sets (aluminum and polycarbonate)
- 22" ladder style handle with knob on backside
- Standard clear tempered glass with optional ultra-clear (low iron) tempered glass
- 3/8" (10mm) or 1/2" (12mm) glass options
- EuroSafe glass film included on both panels (refer to "safety/warranty" for additional information)
- Option for Enduroshield treatment to reduce cleaning time by up to 90%



## FINISHES



Polished Stainless



Matte Black



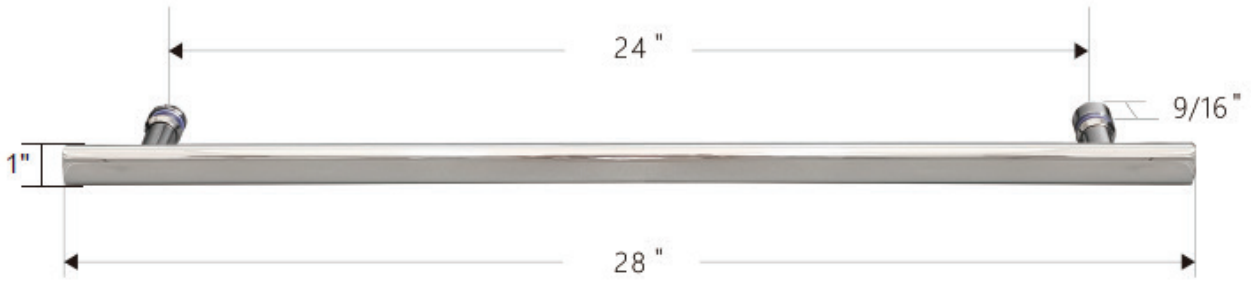
Brushed Stainless



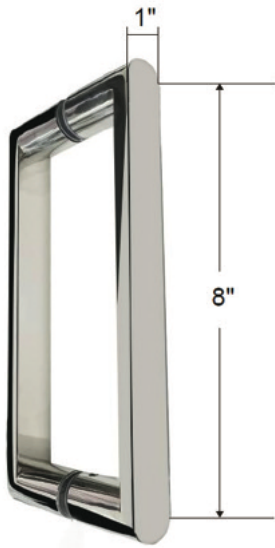
Satin Brass

## MONTAGE

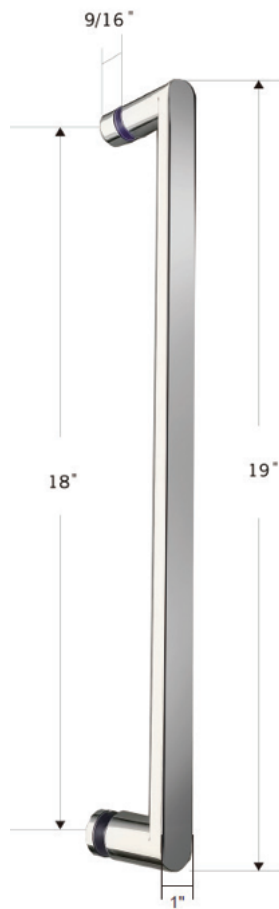
# HANDLE & TOWEL BAR OPTIONS



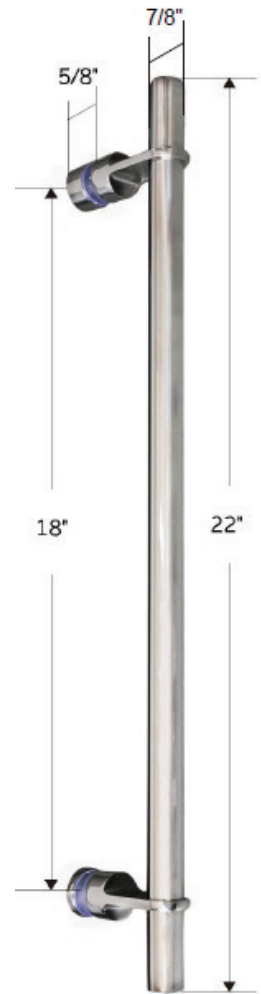
24 inch Ladder Style Towel Bar



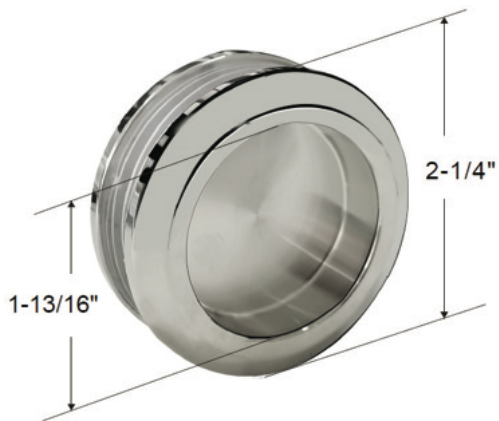
8 inch Back to Back Flat Handle



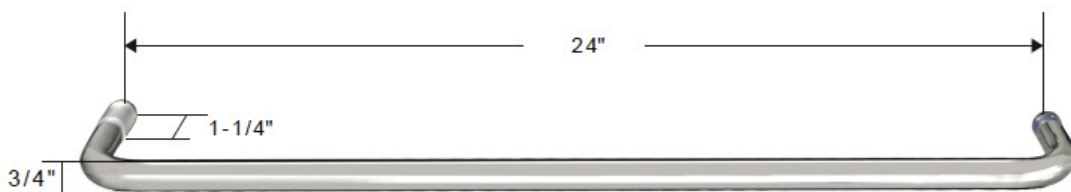
18 inch Flat Style Handle



18 inch Ladder Style Handle

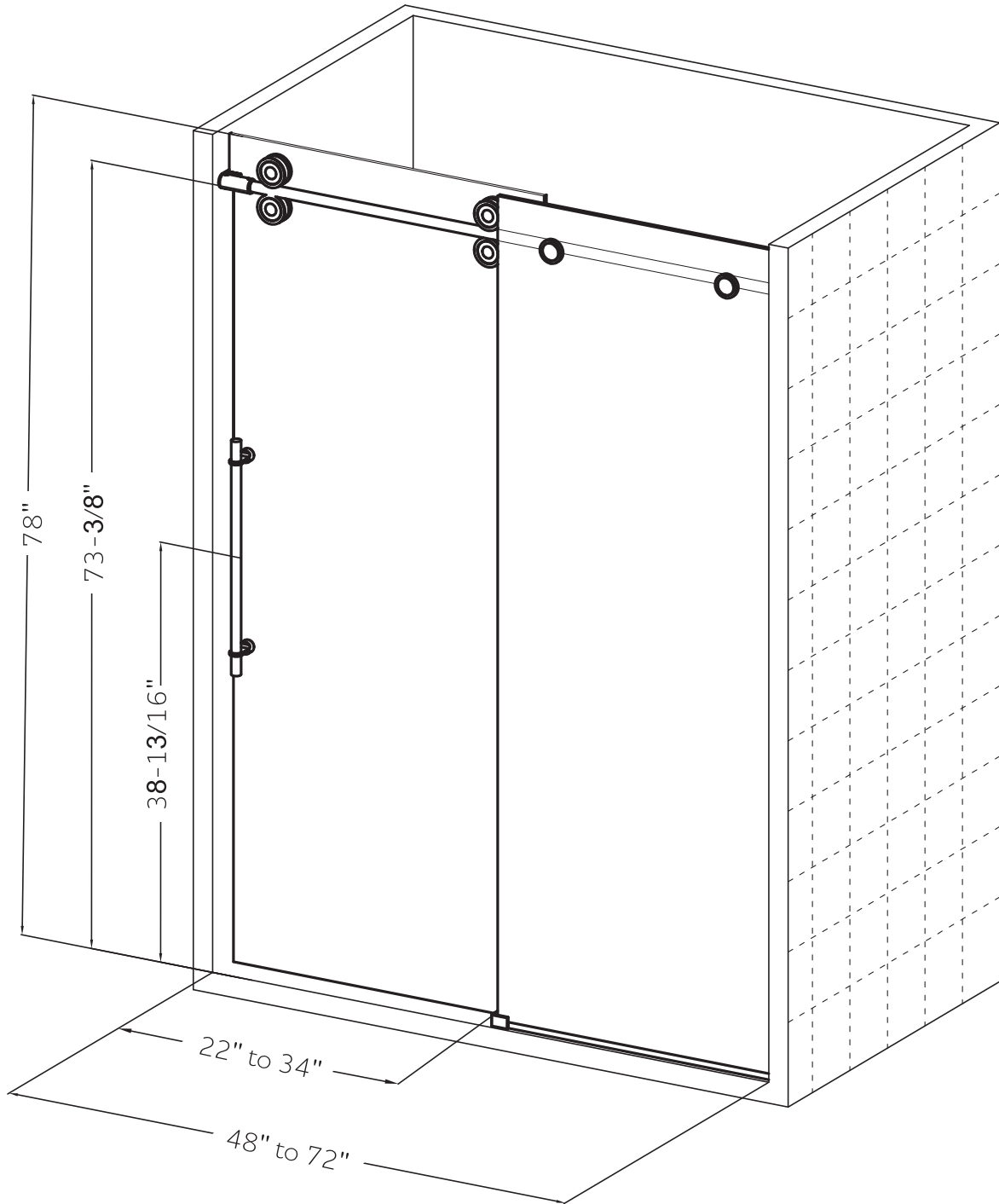


Flush Pull Handle



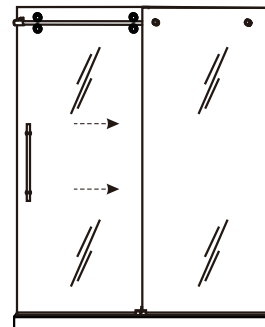
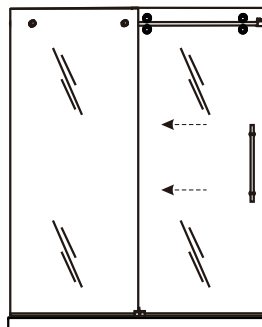
24 inch Rounded Towel Bar

# SPECIFICATIONS

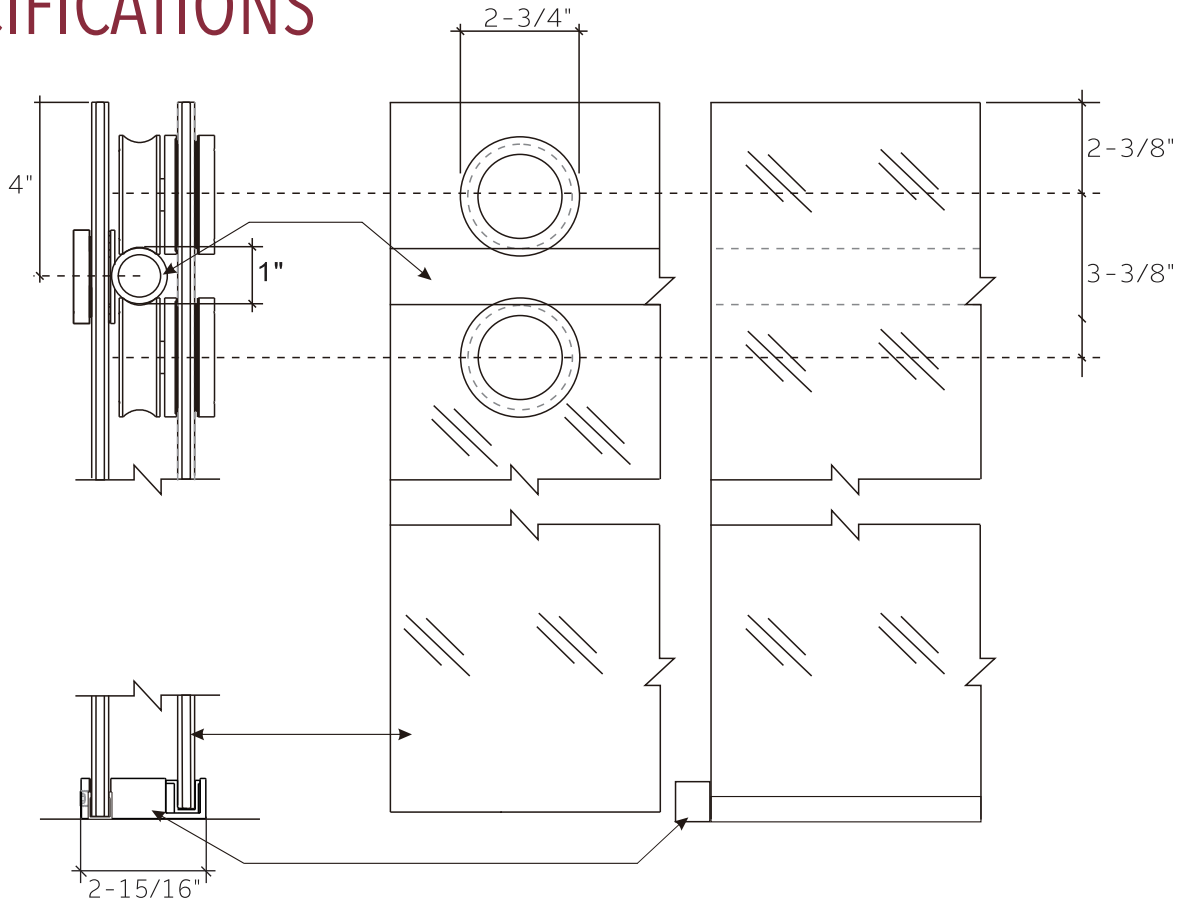


## CONFIGURATIONS

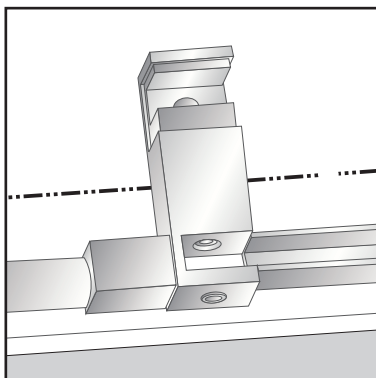
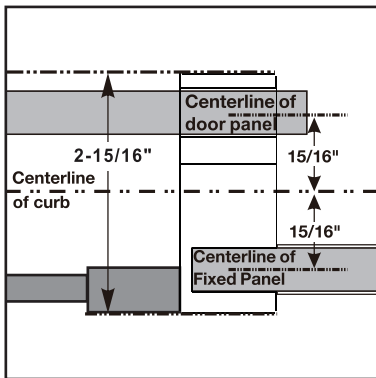
exterior or interior door capability



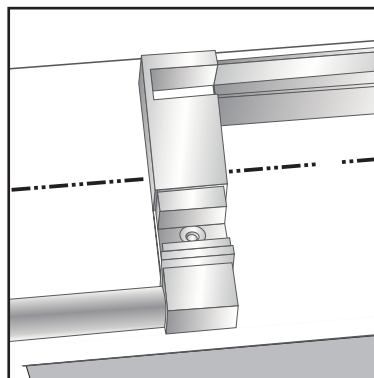
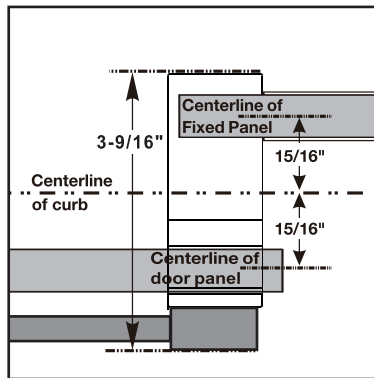
# SPECIFICATIONS



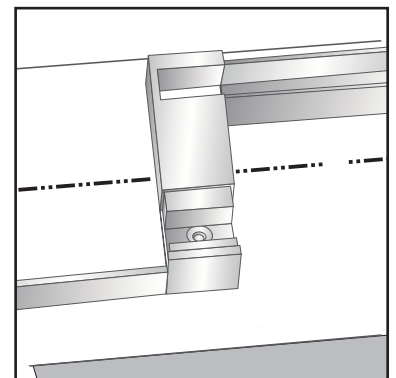
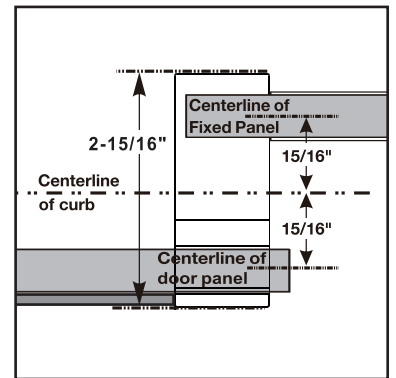
**FOOTPRINT FOR DOOR ON INSIDE USING ALUMINUM WATER GUARD**



**FOOTPRINT FOR DOOR ON OUTSIDE USING ALUMINUM WATER GUARD**



**FOOTPRINT FOR DOOR ON OUTSIDE USING POLYCARBONATE L-SEAL**



# PARTS LIST

- 1) wall bracket
- 2) safety bumper
- 3) fixed panel holder
- 4) roller
- 5) track
- 6) door panel
- 7) F-seal
- 8) fixed panel
- 9) V-seal
- 10) handle
- 11) aluminum u-channel
- 12) 1/4" shims
- 13) bottom guide
- 14) end block
- 15) aluminum water guard
- 16) L-seal

