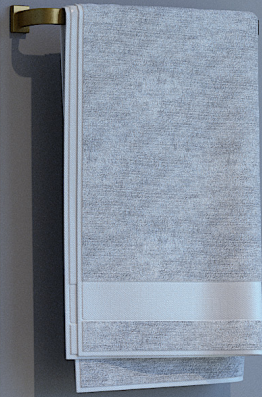


VITRA-200X

INSTALLATION MANUAL - KD72



SUPER EASY INSTALL



HOSPITALITY DIVISION
eurotech
LUXURY SHOWER DOORS



outside door right



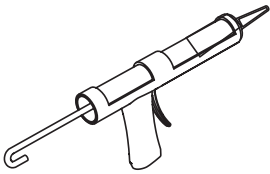
outside door left

HARDWARE FITS UP TO 72" WIDE OPENING

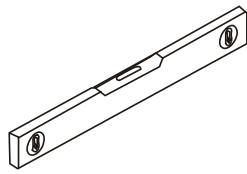


SCAN FOR INSTALLATION VIDEO

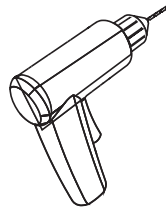
Tools Required



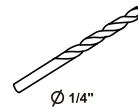
Silicone



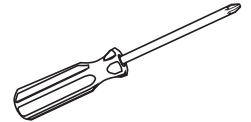
Level



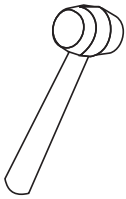
Drill



Masonry Bit



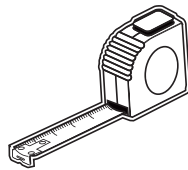
**Screwdriver
(Phillips)**



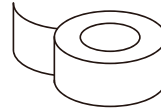
Mallet



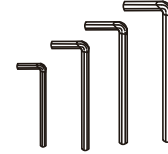
Pencil



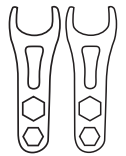
Tape Measurer



**Painters
Tape**



**Allen Wrenches
(included)**



**Wrenches
(included)**

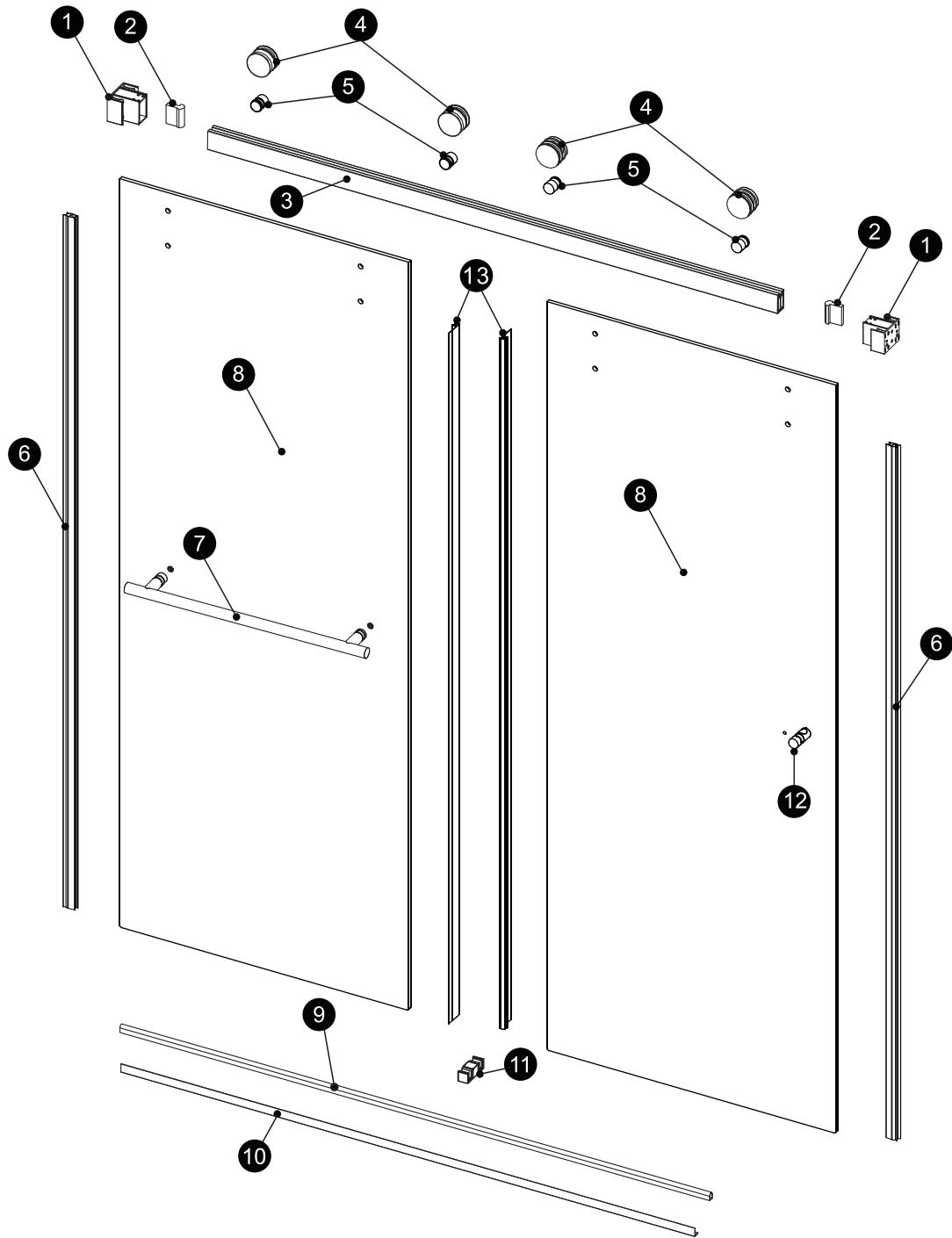


This product is heavy and may require two people to install.



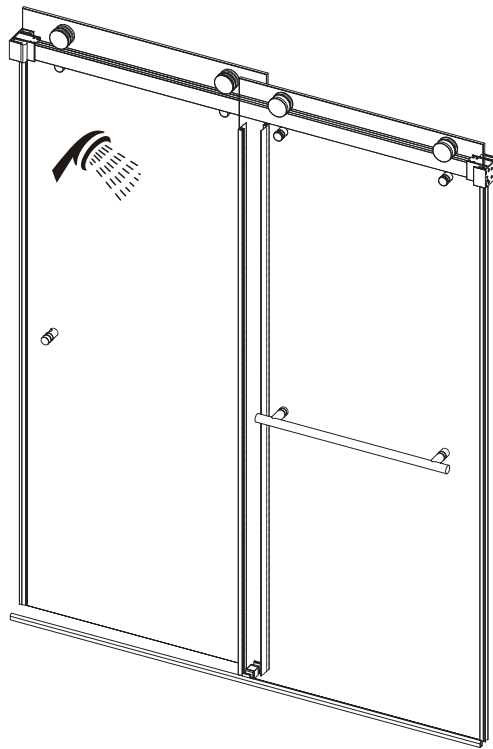
Congratulations on your purchase of your Eurotech Shower door, making your shower dreams come to life.

◆ Assembly Drawing



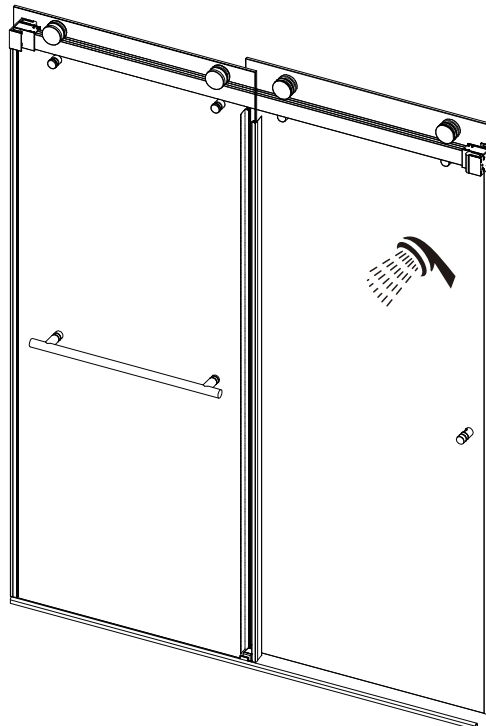
PACKING LIST

PART #	DESCRIPTION	Q'TY	PART #	DESCRIPTION	Q'TY
1	Wall Bracket	2pcs	8	Door Panel	2pcs
2	Safety Bumper	2pcs	9	Aluminium Water Guard	1pc
3	Track	1pc	10	L Seal	1pc
4	Roller	4pcs	11	Glass Guide	1pc
5	Anti-Lift Pins	4pcs	12	Knob	1pc
6	Door Bubble Gasket	2pcs	13	Gasket	2pcs
7	Towel Bar	1pc			



outside door right

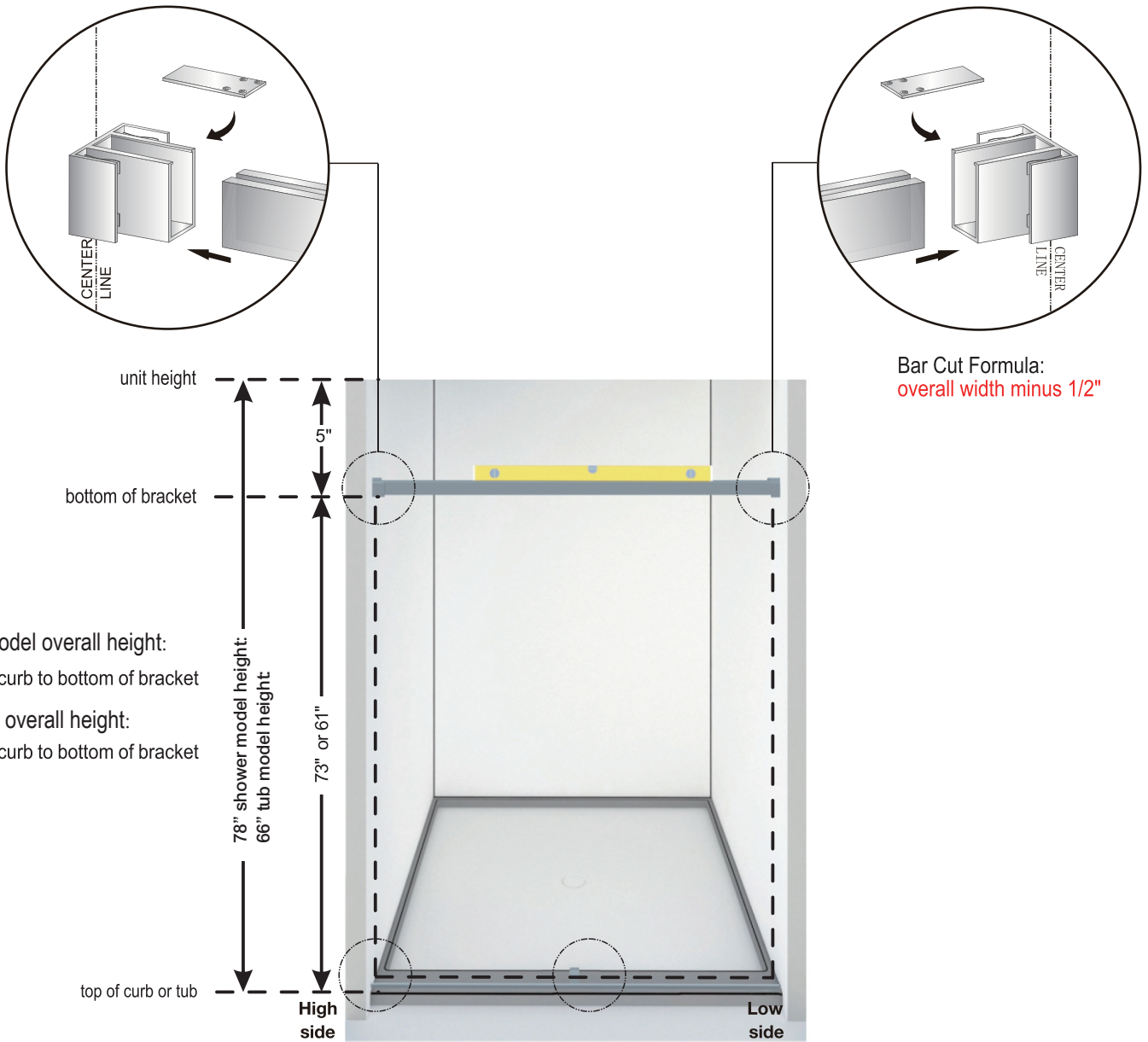
Configuration1



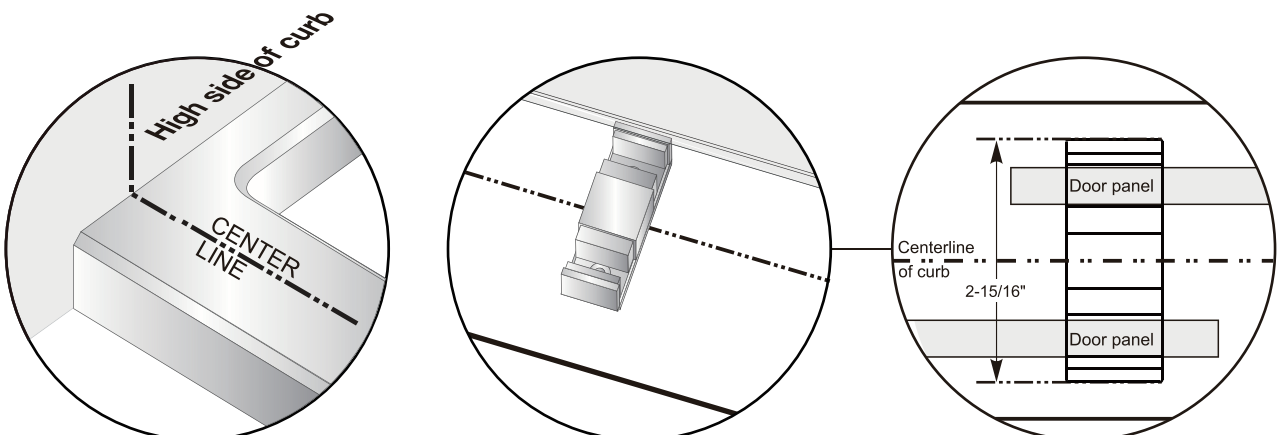
outside door left

Configuration2

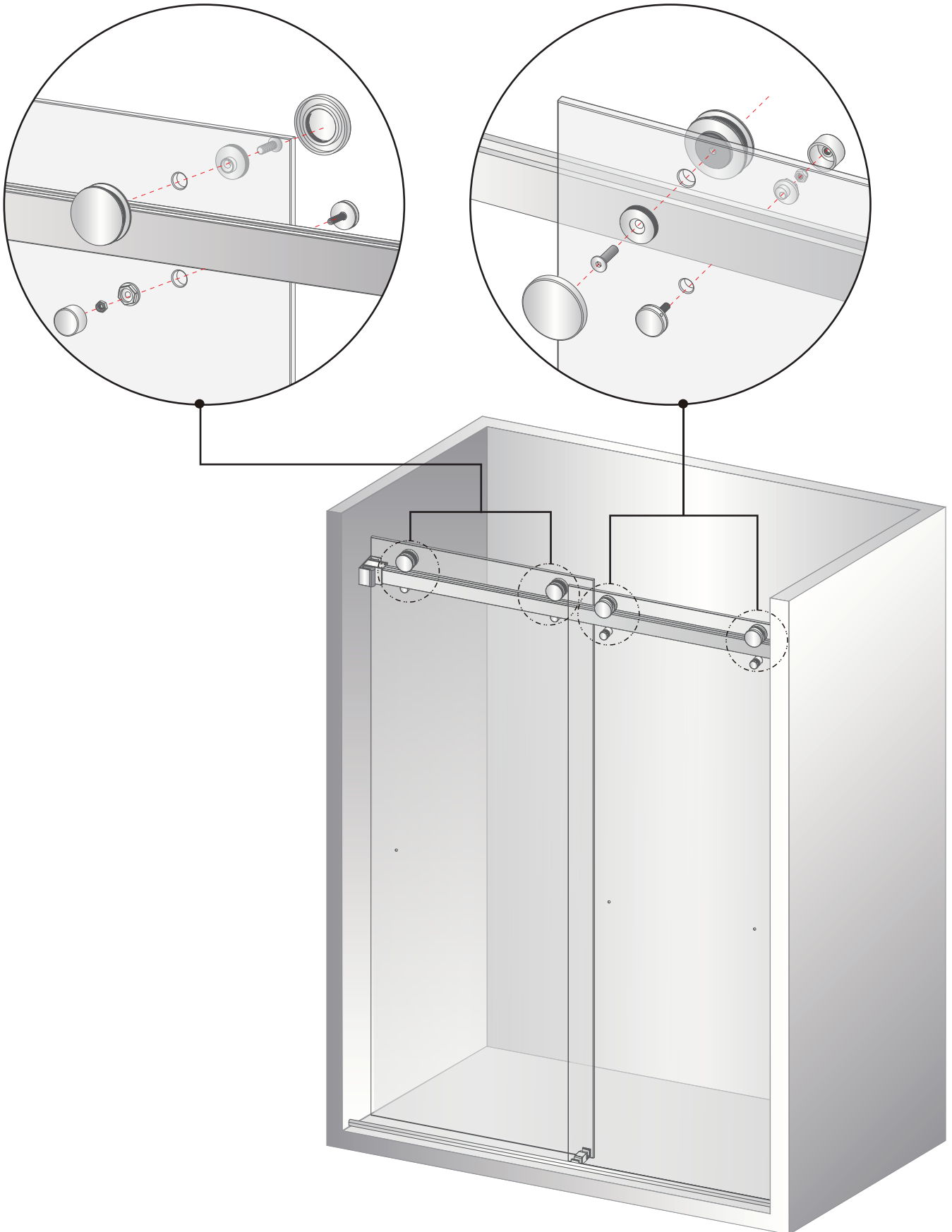
Bar Installation: Mount wall bracket on **high side** of curb first. Level bar to mark opposite wall for second wall bracket.



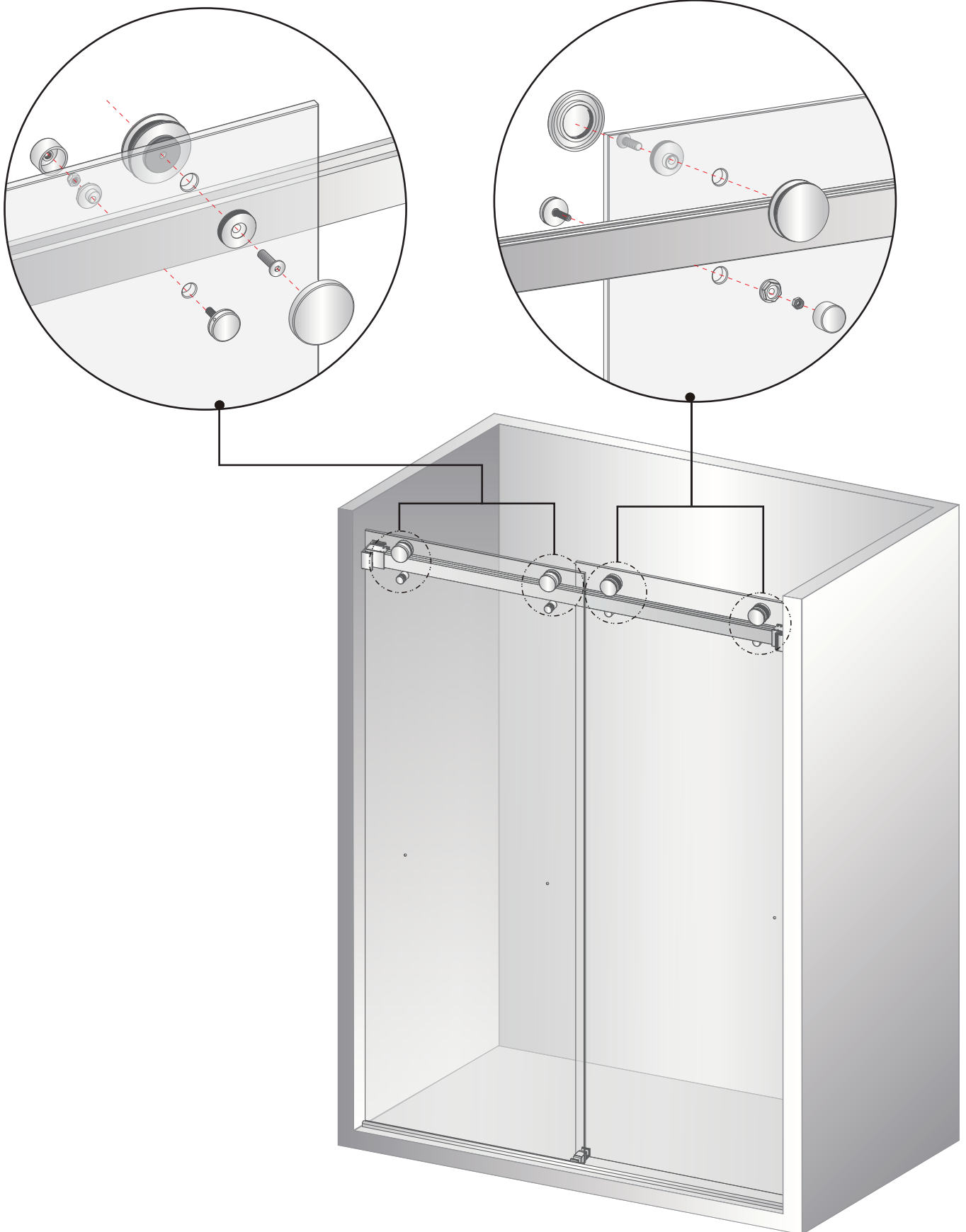
Bottom Guide Installation: center bottom guide between walls and curb depth for install



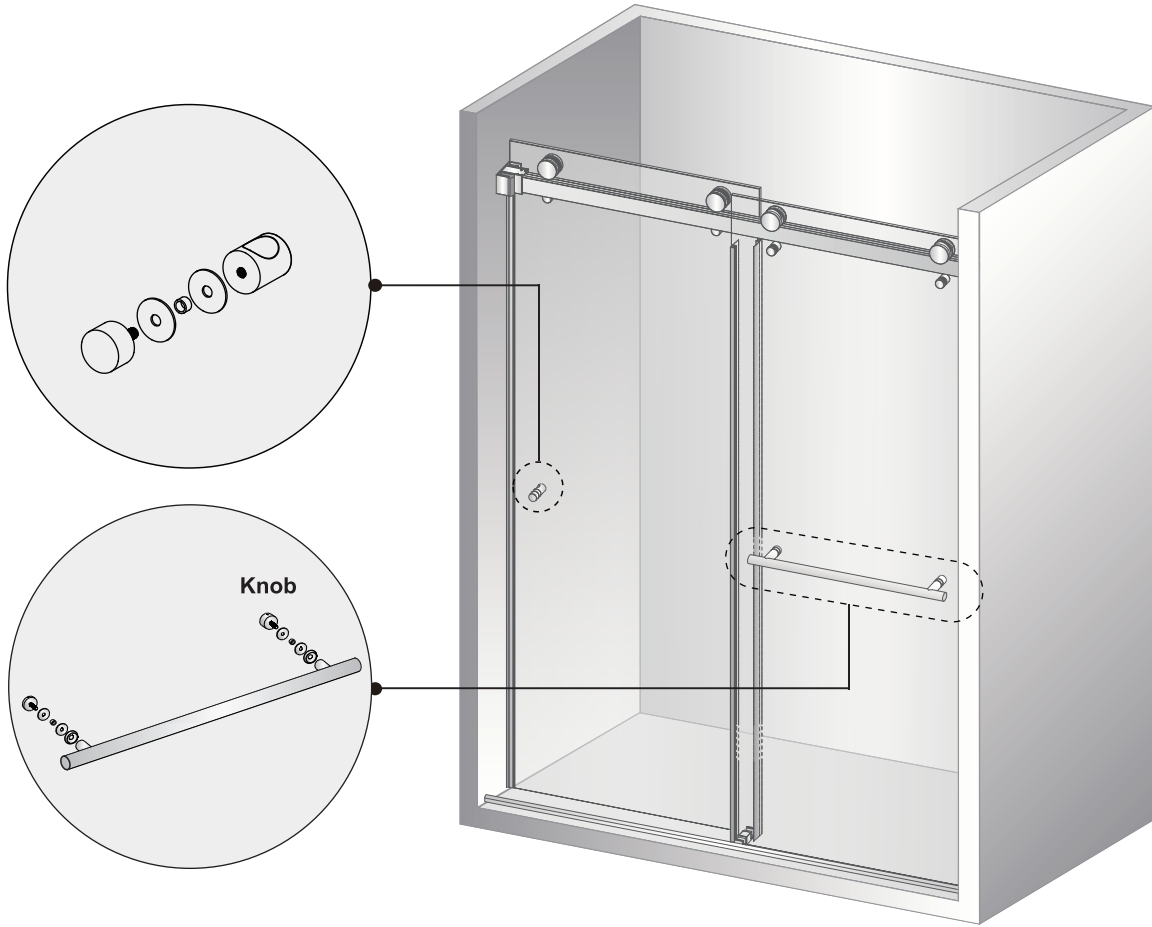
outside door right



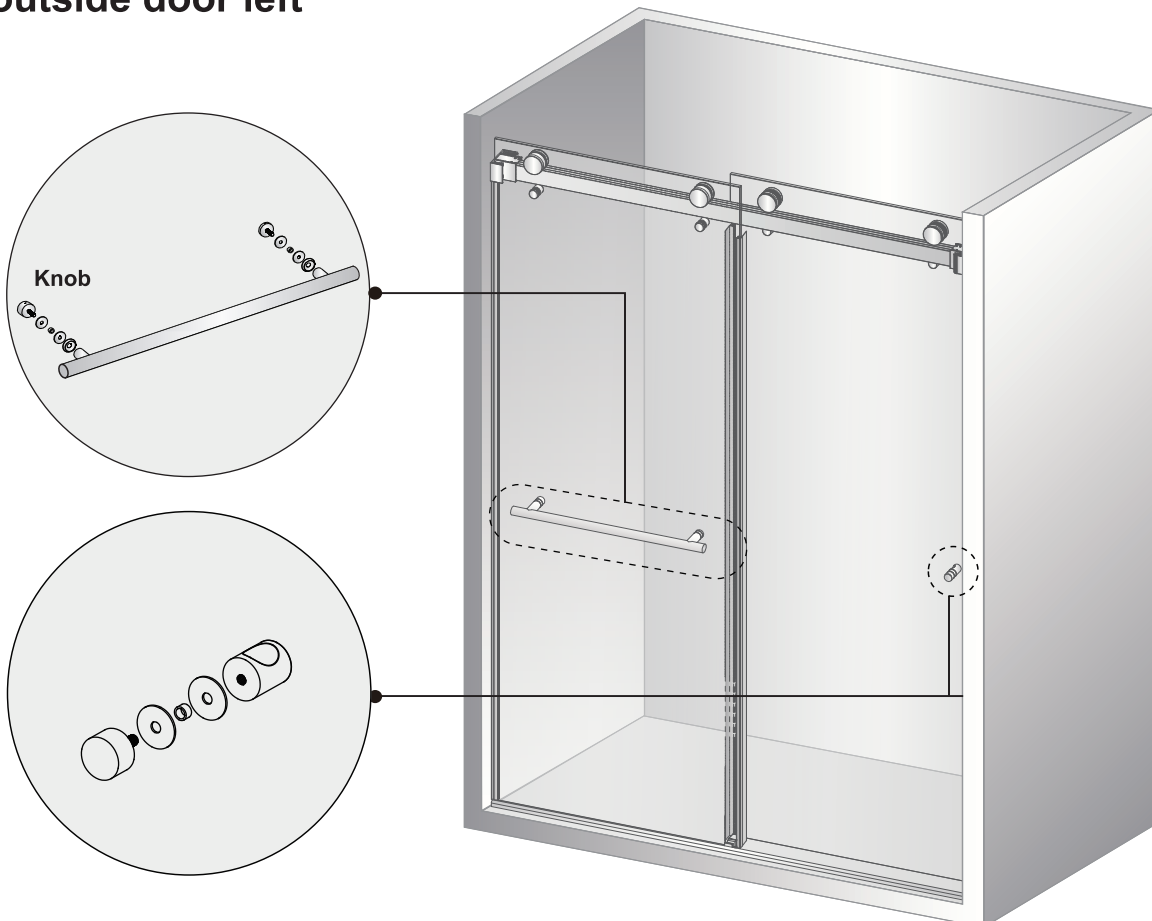
outside door left



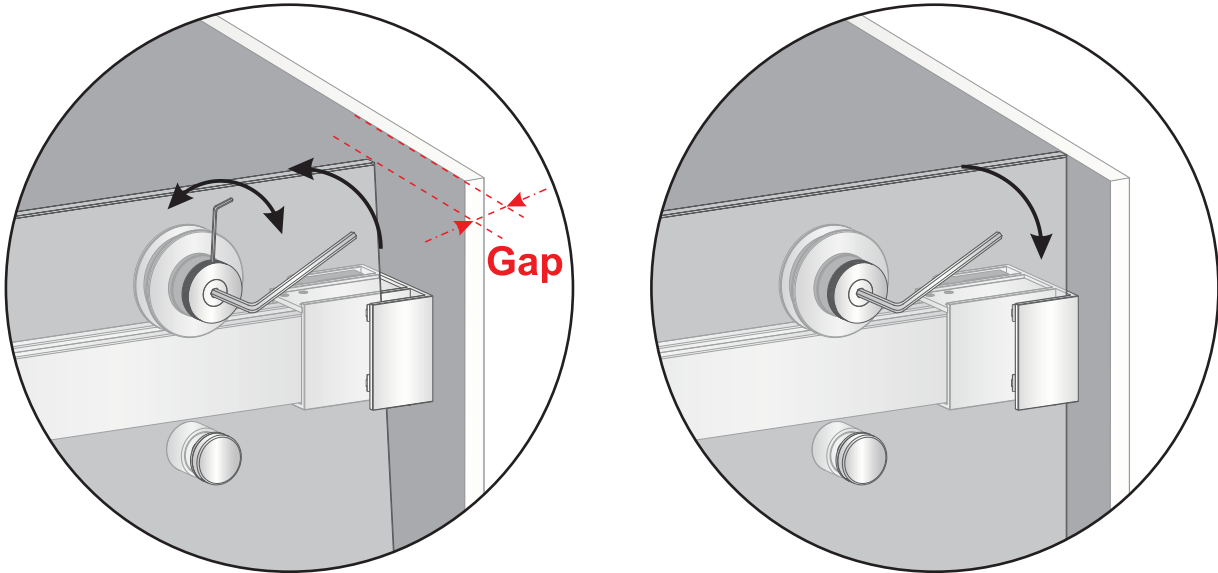
outside door right



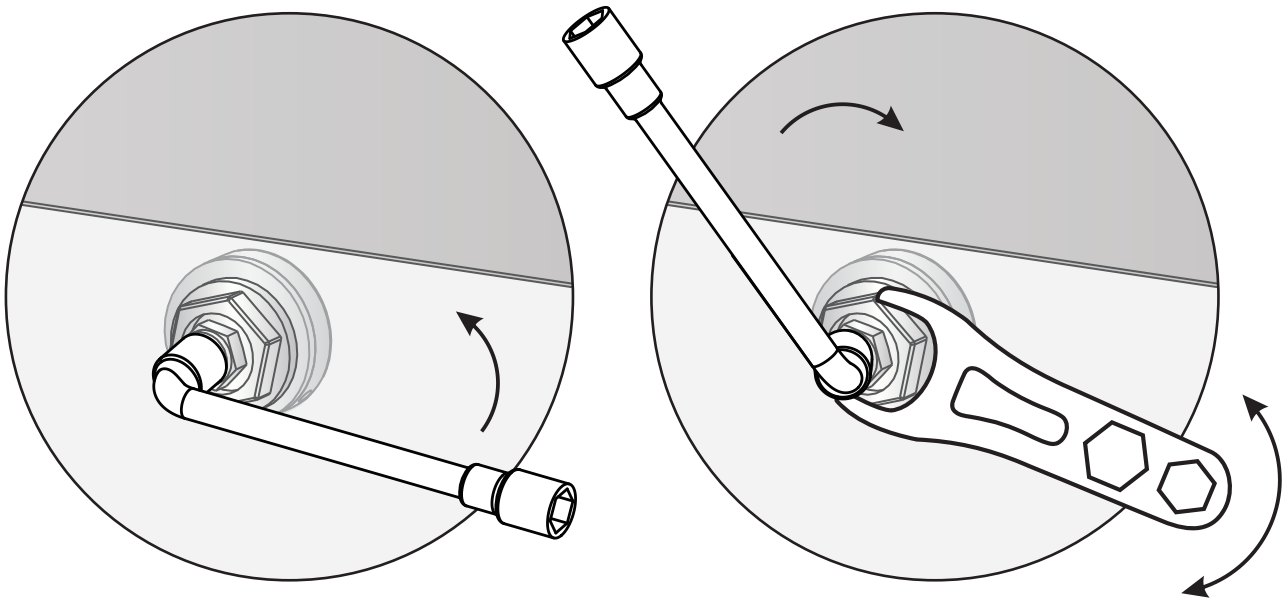
outside door left



Aligning doors to wall via adjusting rollers



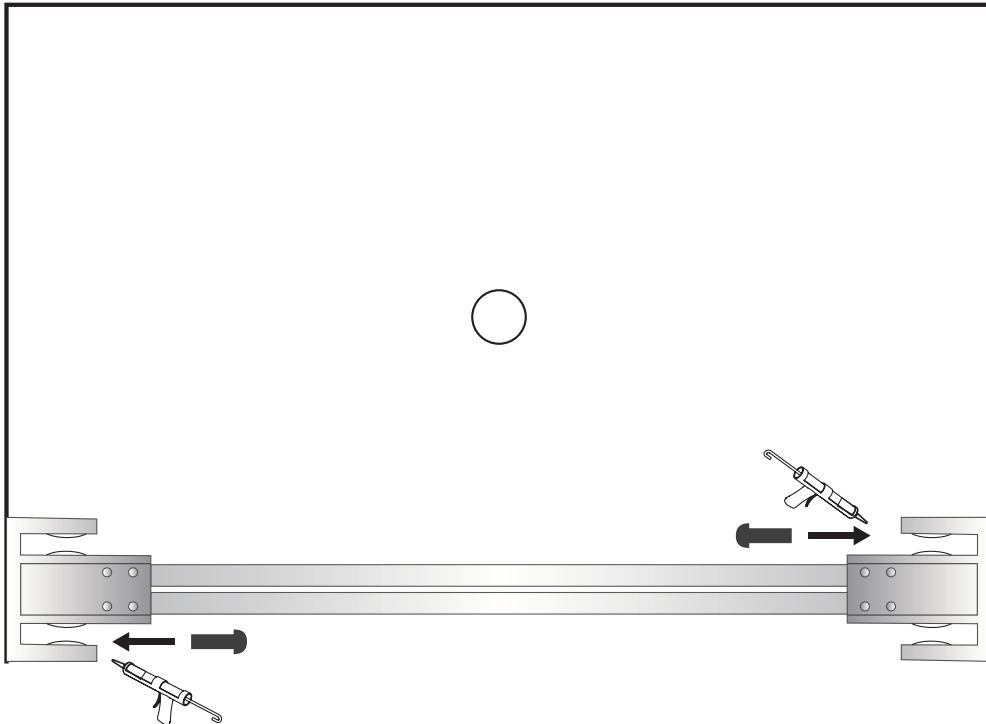
Loosen main allen screw and turn metal bushing left or right to raise or lower door.
Tighten main allen screw.



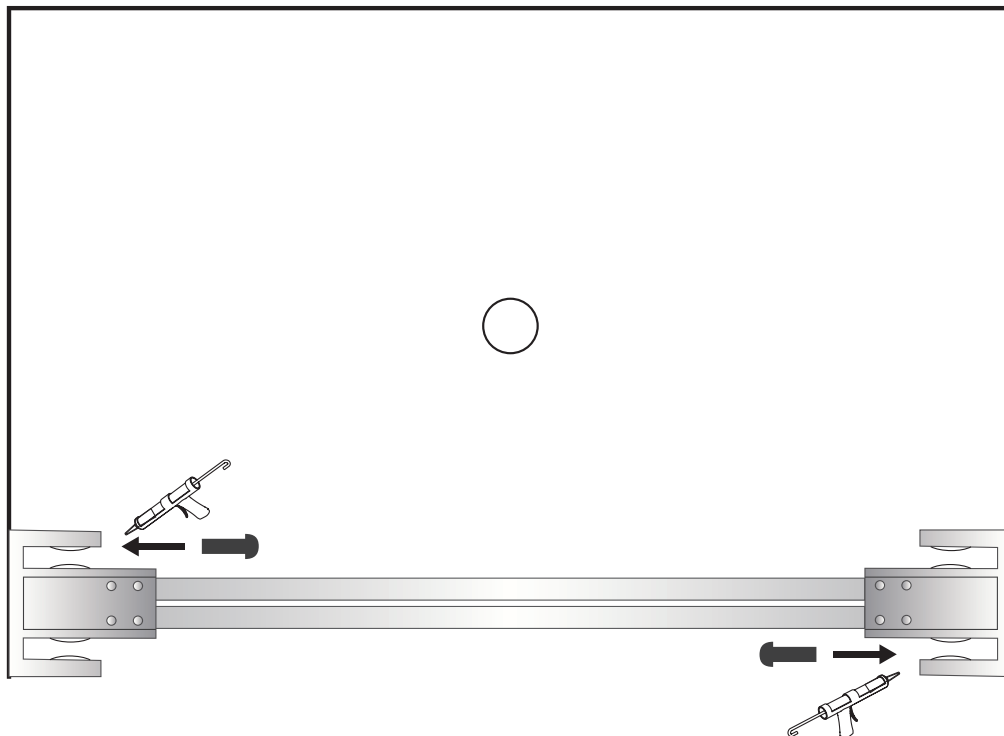
Loosen nut and turn plastic bushing left or right to adjust pin 1/16" below track.

◆ Safety Bumper Page

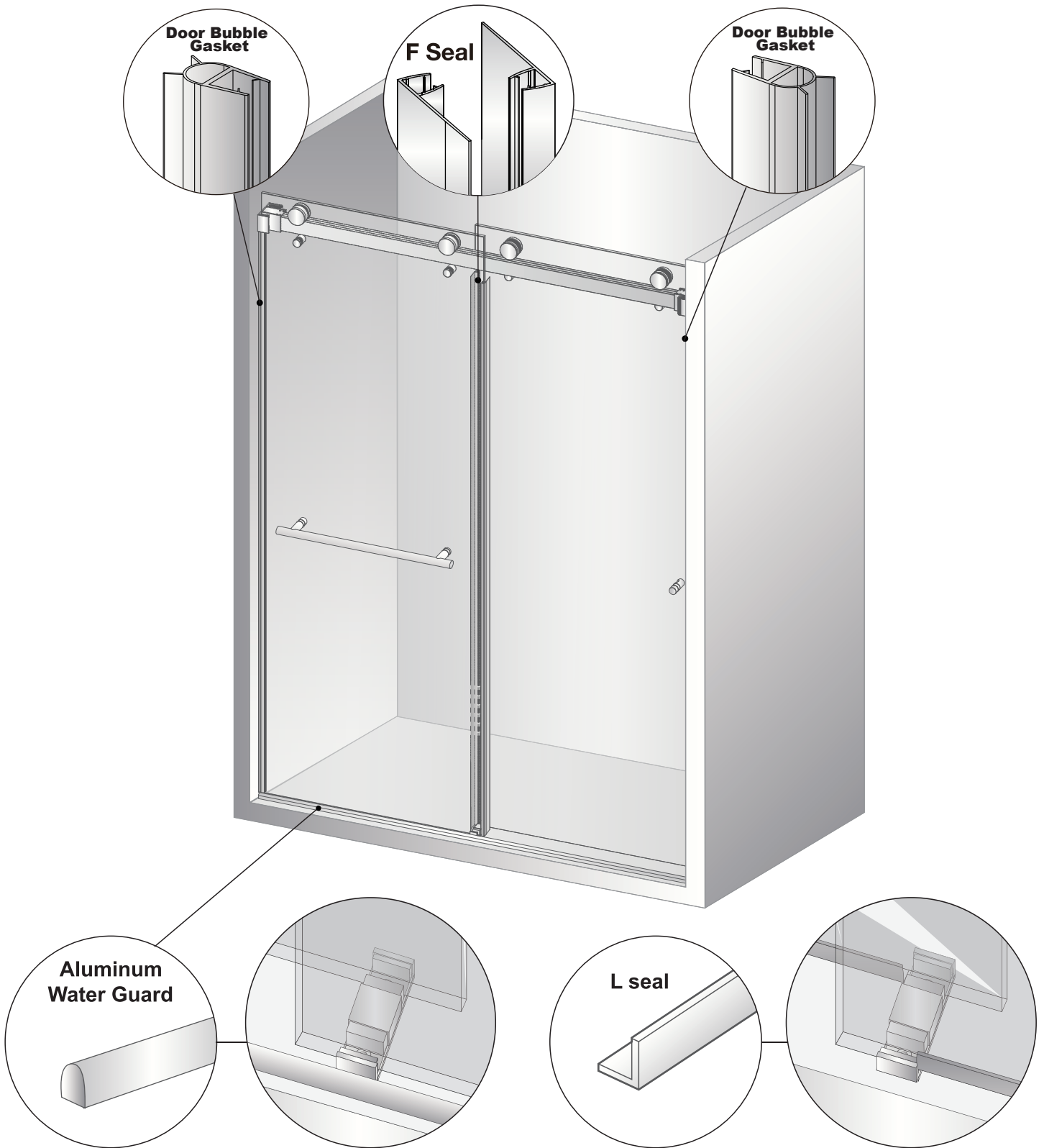
For outside door right insert safety bumpers into wall brackets as shown



For outside door left insert safety bumpers into wall brackets as shown



DO NOT OPERATE DOORS WITHOUT SAFETY BUMPERS AND SEALS PROPERLY INSTALLED



Preferred method: aluminum water guard

Optional method: polycarbonate L-seal

Aluminum Water Guard Cut Formula: overall width minus 1/16"

DO NOT OPERATE DOORS WITHOUT SAFETY BUMPERS AND SEALS PROPERLY INSTALLED